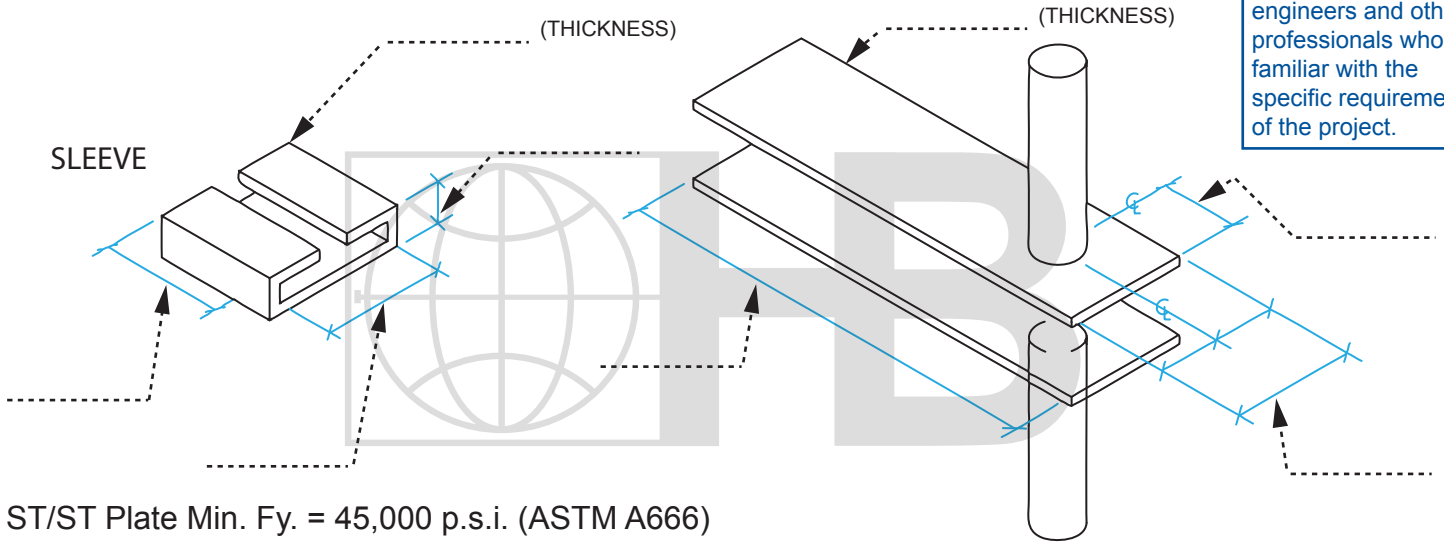


STAINLESS STEEL STONE ANCHORS

C-3 STONE ANCHOR

The appropriate selection and use of any product contained herein must be determined by competent architects, engineers and other professionals who are familiar with the specific requirements of the project.



ST/ST Plate Min. Fy. = 45,000 p.s.i. (ASTM A666)
ST/ST Rounds Min. Fy. = 75,000 p.s.i. (ASTM A276/A276M)

DRAWINGS FOR ILLUSTRATIVE PURPOSES ONLY

FINISH:

TYPE 304 Stainless Steel

QUANTITY:

H&B recommends the exclusive use of stainless steel for stone anchorage.

DOWEL SIZES:

	DOWEL DIA	1/2 DOWEL LENGTH	JOINT THICKNESS
<input type="checkbox"/>	3/16"	1"	min. 3/16"
<input type="checkbox"/>	1/4"	1"	min. 3/16"
<input type="checkbox"/>	3/8"	2"	min. 1/4"
<input type="checkbox"/>	1/2"	2"	min. 3/8"

PROJECT NAME:

LOCATION:

NOTES:

CONTACT INFO

Name :

Company:

Phone:

FAX:

Email:

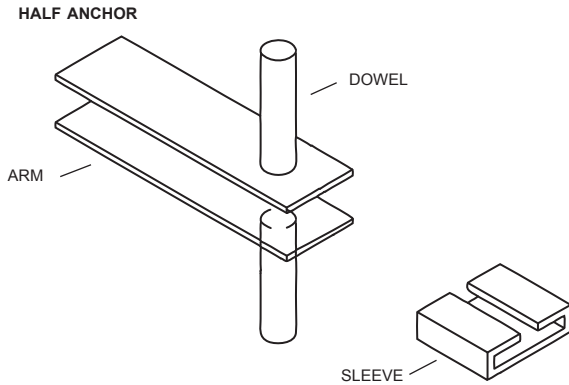
Due to fabrication requirements and lead times, once a custom anchor order has been scheduled it cannot be cancelled and will not be returnable. Verify all measurements before signing this form. Any changes after the initial order is placed will require a new signed form, and an additional charge. By signing this document, you agree to the terms stated above and accept full responsibility for the accuracy of measurements.

Orders without a signature will not be processed.

ACCEPTED BY: _____

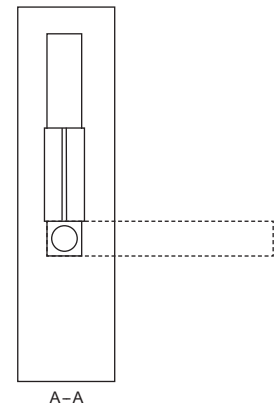
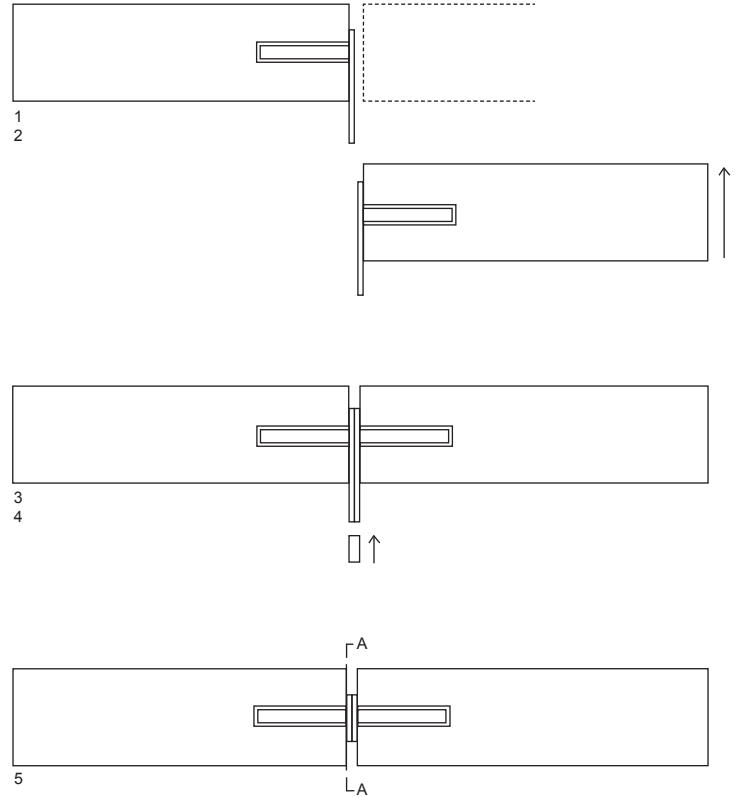
DATE: _____

C-3 STONE ANCHOR INSTALLATION



SIZES

DOWEL Ø	HALF DOWEL LENGTH	MINIMUM JOINT THICKNESS
3/16"	1"	3/16"
1/4"	1"	3/16"
3/8"	2"	1/4"
1/2"	2"	3/8"



1. Place half-anchor into dowel hole of panel to be set.
2. Place half-anchor into dowel hole of adjacent work.
3. Position panel.
4. Slide sleeve on arms of half-anchors.
5. Rotate Arms.
Panel is now locked in place.
Panel may be easily removed by reversing the procedure.

The appropriate selection and use of any product contained herein must be determined by competent architects, engineers and other professionals who are familiar with the specific requirements of the project.