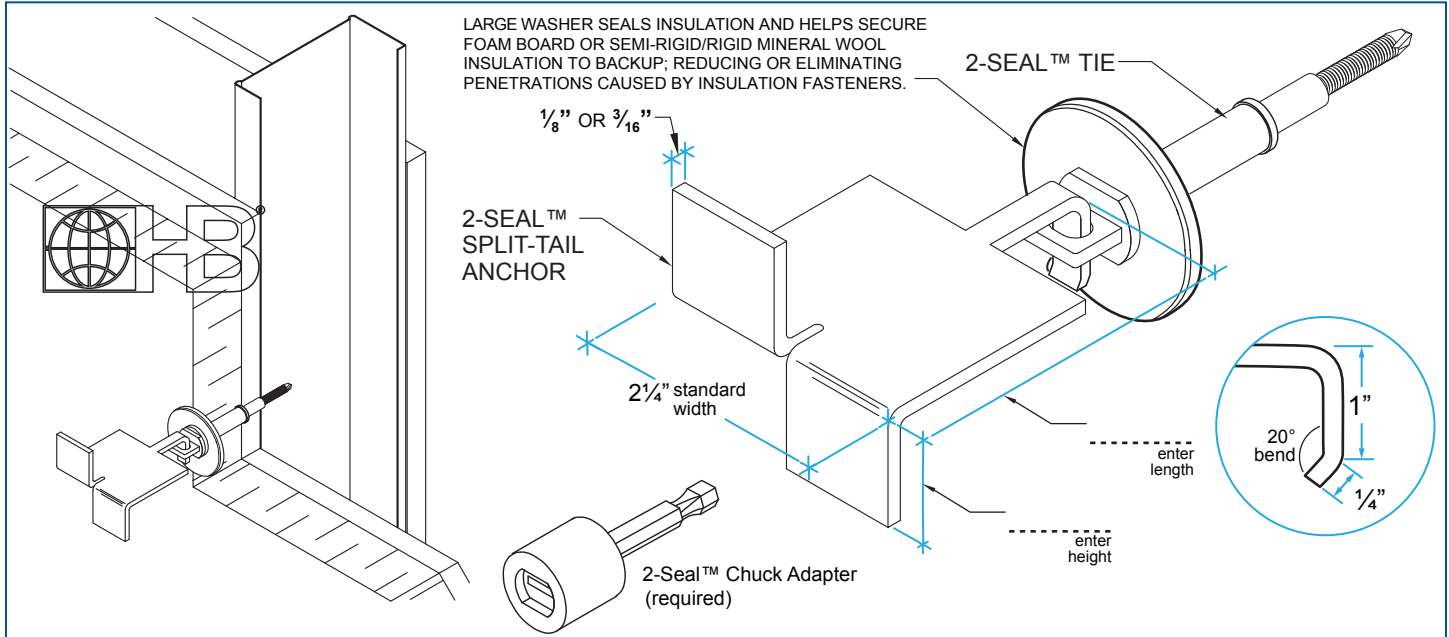


Veneer Anchors

2-Seal™ Stone Anchor (Split-Tail)



DRAWINGS FOR ILLUSTRATIVE PURPOSES ONLY

H&B RECOMMENDS 16" X 16" SPACING

2-Seal™ Tie STONE ANCHOR

An innovative single screw veneer tie for metal stud construction. The 2-Seal™ Tie has a dual-diameter barrel with factory-installed EPDM washers to seal both the face of the insulation and the air/vapor barrier.

- #12 screw integrated into the dual-diameter barrel
- Available for 5/8" - 4 1/2" wallboard + insulation combination

Barrel (Zamac Zinc): **ASTM B86** (92% Zinc Alloy) with protective polymer coating for corrosion resistance

Screw (Carbon Steel): **ASTM A510** (Carbon Steel)
ASTM C954 (1000-hour polymer coating)

Sheet Metal (Stainless Steel): ASTM A666, **ASTM A480/480M**, and **ASTM A240/A240M - AISI Type 304 or 316**

Screw Pullout Values (average ultimate load):

Stud Gauge	18 GA	16 GA	14 GA	12 GA
	611#	743#	1096#	1394#

U.S. Patent No. 8,037,653 | Canadian Patent No. 2,690,819

Due to fabrication requirements and lead times, once a custom anchor order has been scheduled it cannot be cancelled and will not be returnable. Verify all measurements before signing this form. Any changes after the initial order is placed will require a new signed form, and an additional charge. By signing below, you agree to the terms stated above and accept full responsibility for the accuracy of measurements.

Orders without a signature will not be processed.

ACCEPTED BY: _____

DATE: _____

Enter 2-Seal Split Tail Anchor Length and Height in the Illustration Above.

2-Seal™ Tie Finish:

Polymer Coated

2-Seal™ Tie Style (Equal to thickness of wallboard + insulation):

- | | | |
|--|--|--|
| <input type="checkbox"/> 2-Seal Tie (5/8") | <input type="checkbox"/> 2-Seal Tie (3") | <input type="checkbox"/> 2-Seal Tie (5") |
| <input type="checkbox"/> 2-Seal Tie (1") | <input type="checkbox"/> 2-Seal Tie (3 1/2") | <input type="checkbox"/> 2-Seal Tie (5 1/2") |
| <input type="checkbox"/> 2-Seal Tie (1 1/2") | <input type="checkbox"/> 2-Seal Tie (4") | <input type="checkbox"/> 2-Seal Tie (6") |
| <input type="checkbox"/> 2-Seal Tie (2") | <input type="checkbox"/> 2-Seal Tie (4 1/2") | <input type="checkbox"/> 2-Seal Tie (6 1/2") |
| <input type="checkbox"/> 2-Seal Tie (2 1/2") | <input type="checkbox"/> CUSTOM STYLE _____ | |

2-Seal Split-Tail Anchor Finish:

- Stainless Steel - Type 304
 Stainless Steel - Type 316

2-Seal Split-Tail Anchor Thickness:

- 1/8" (min. thickness) 3/16"
 2-Seal™ Chuck Adapter (required)

Note: H&B recommends Stainless Steel for maximum protection against corrosion.

IMPORTANT: Since each construction project is unique, the appropriate selection and use of any product contained herein must be determined by competent architects, engineers and other appropriate professionals who are familiar with the specific requirements of the project in question. This drawing and/or data sheet is the confidential and proprietary information of Hohmann & Barnard, Inc. and is not to be reproduced, copied or disclosed, in whole or in part, without the prior written consent of H&B.