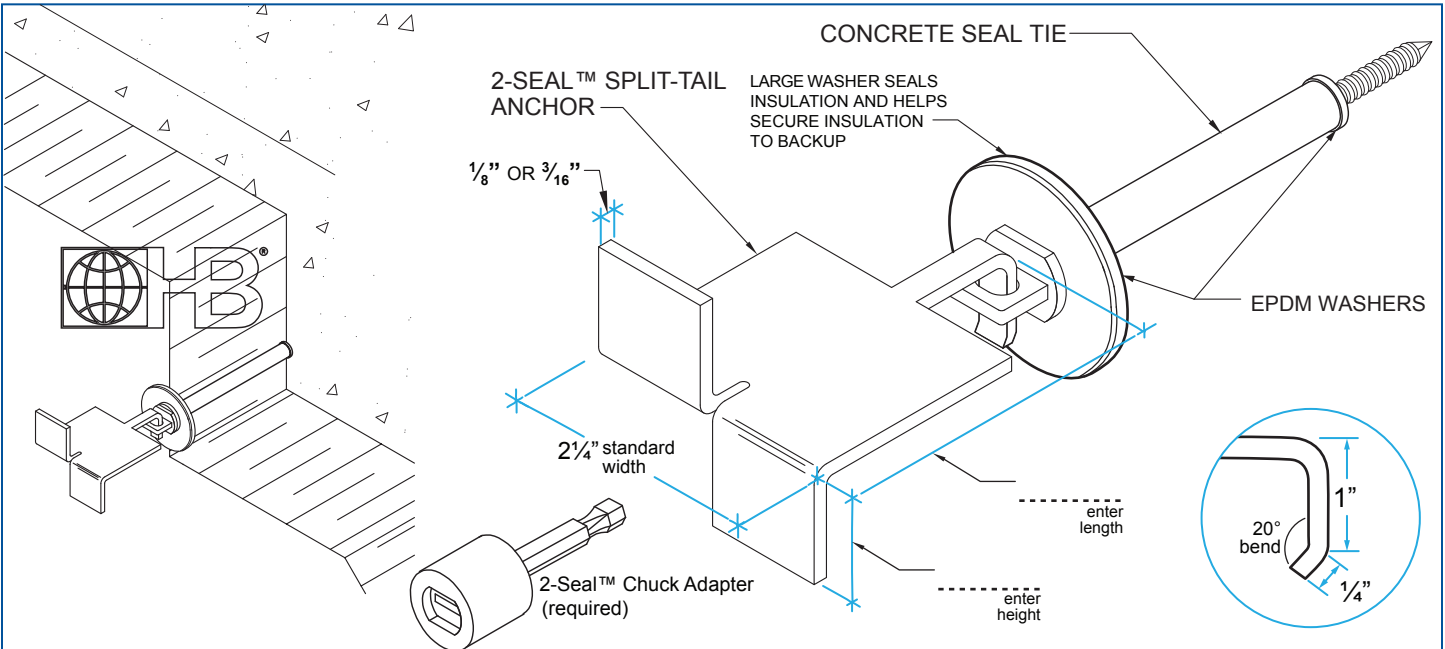


Veneer Anchors

Concrete 2-Seal™ Stone Anchor (Split-Tail)



DRAWINGS FOR ILLUSTRATIVE PURPOSES ONLY

H&B RECOMMENDS 16" X 16" SPACING

Concrete Seal Tie™ STONE ANCHOR is an innovative single screw veneer tie suitable for use with concrete, CMU, wood stud or brick backup with factory-installed EPDM washers to seal both the face of the insulation and the air/vapor barrier.

- #14 screw with alternating threads
- Available for 5/8" - 4 1/2" insulation and/or wall board thickness

Screw (Carbon Steel): **ASTM A510** (Carbon Steel)
ASTM C954 (1000-hour polymer coating)

Sheet Metal (Stainless Steel): ASTM A666, **ASTM A480/480M**, and **ASTM A240/A240M - AISI Type 304 or 316**

Screw Pullout Values (1 1/4 min. embed):

- Concrete 810# (average ultimate load)
- C-90 Hollow Block 700# (average ultimate load)

Due to fabrication requirements and lead times, once a custom anchor order has been scheduled it cannot be cancelled and will not be returnable. Verify all measurements before signing this form. Any changes after the initial order is placed will require a new signed form, and an additional charge. By signing below, you agree to the terms stated above and accept full responsibility for the accuracy of measurements.

Orders without a signature will not be processed.

ACCEPTED BY: _____

DATE: _____

Enter 2-Seal Split-Tail Anchor Length and Height in the Illustration Above.

Concrete Seal Tie Finish:

Polymer Coated Steel:

Concrete Seal Tie Style (Equal to thickness of insulation):

- | | |
|---|---|
| <input type="checkbox"/> Concrete Seal Tie (5/8") | <input type="checkbox"/> Concrete Seal Tie (3") |
| <input type="checkbox"/> Concrete Seal Tie (1") | <input type="checkbox"/> Concrete Seal Tie (3 1/2") |
| <input type="checkbox"/> Concrete Seal Tie (1 1/2") | <input type="checkbox"/> Concrete Seal Tie (4") |
| <input type="checkbox"/> Concrete Seal Tie (2") | <input type="checkbox"/> Concrete Seal Tie (4 1/2") |
| <input type="checkbox"/> Concrete Seal Tie (2 1/2") | <input type="checkbox"/> Concrete Seal Tie (5") |

CUSTOM STYLE _____

2-Seal Split-Tail Anchor Finish:

Stainless Steel: Type 304 Type 316

2-Seal Split-Tail Anchor Thickness: 1/8" 3/16"

2-Seal™ Chuck Adapter (required)

NOTE:

- Pre-drill a 7/32" (4 mm) hole into concrete, CMU, or masonry backup to a depth of 2" (51 mm).
- H&B recommends Stainless Steel for maximum protection against corrosion.

IMPORTANT: Since each construction project is unique, the appropriate selection and use of any product contained herein must be determined by competent architects, engineers and other appropriate professionals who are familiar with the specific requirements of the project in question. This drawing and/or data sheet is the confidential and proprietary information of Hohmann & Barnard, Inc. and is not to be reproduced, copied or disclosed, in whole or in part, without the prior written consent of H&B.