

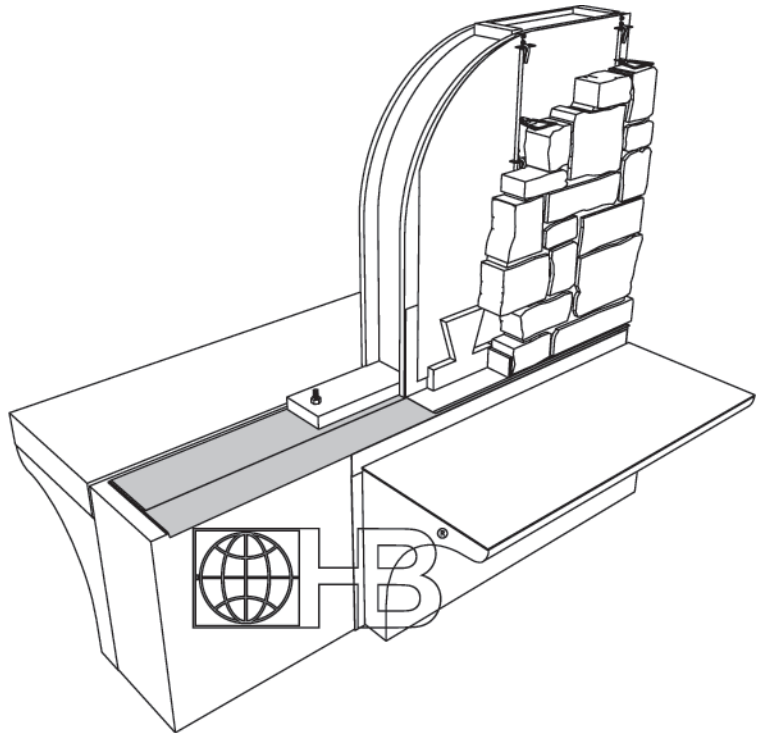
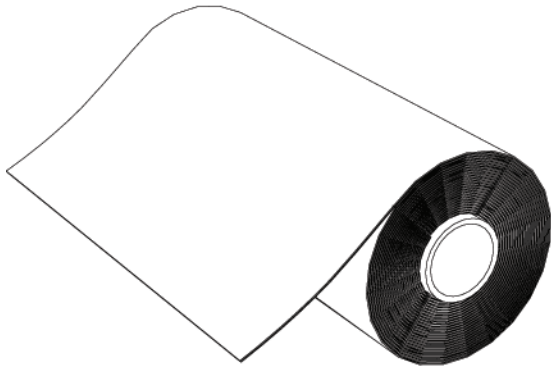


**HOHMANN & BARNARD, INC.**  
A MiTek - BERKSHIRE HATHAWAY COMPANY

## Residential Products

# Copper Termite Shield

Copper Termite Sill Shield



### Copper Termite Shield

Copper Termite Shield is a sheet of soft-tempered copper that is permanently coated on one side with a polyethylene membrane. Copper flashing has long been used in masonry construction due to its pliability and nonreaction to any alkalis or acids that may be found in mortar.

#### Patents Pending

- Compatible with ACQ and all other treatments for pressure treated lumber.
- Asphalt-free adhesive will not stain concrete, vinyl or wood.
- Compatible with all adhesives, caulks and sealants.
- Lightweight Flexible and easy to work with.
- Conforms to any surface.
- Available in 8", 10" or 12" wide.
- 50' long roll.

**Eco-Friendly alternative to using chemical pesticide treatments.**

**Roll Width:** (rolls are 50 ft. long)

8"    10"    12"

#### PHYSICAL PROPERTIES CHART

##### COPPER FOIL

Alloy	110 (ASTM-B152)
Tensile	20.10 kg/mm <sup>2</sup>
Chemical Analysis	CU + AG% 99.92
Temper	SOFT

##### POLYETHYLENE FILM

Target Gauge	4 mil
Tensile Strength	YIELD (MD) 3,335 psi
	YIELD (TD) 3,640 psi
	BREAK (MD) 5,400 psi
	BREAK (TD) 5,365 psi
Ultimate Elongation	(MD) 710%
	(TD) 850%
1% Secant Modulus	(MD) 92,000 psi
	(TD) 101,000 psi
Elmendorf Tear Strength	(MD) 245 gf
	(TD) 1,400 gf
Dart Impact Failure Wt.	250 g
Static Coefficient of Friction	.30 gf
Kinetic Coefficient of Friction	.28 gf

**HOHMANN & BARNARD, Inc.**  
30 Rasons Court | Hauppauge, NY 11788  
CORPORATE HEADQUARTERS  
T: 800.645.0616 F: 631.234.0683  
[www.h-b.com](http://www.h-b.com)

**Branch/Subsidiary Locations:**  
ALABAMA - ILLINOIS - MARYLAND  
NEW YORK - PENNSYLVANIA - TEXAS  
CANADA

© HOHMANN & BARNARD, INC. - 2012