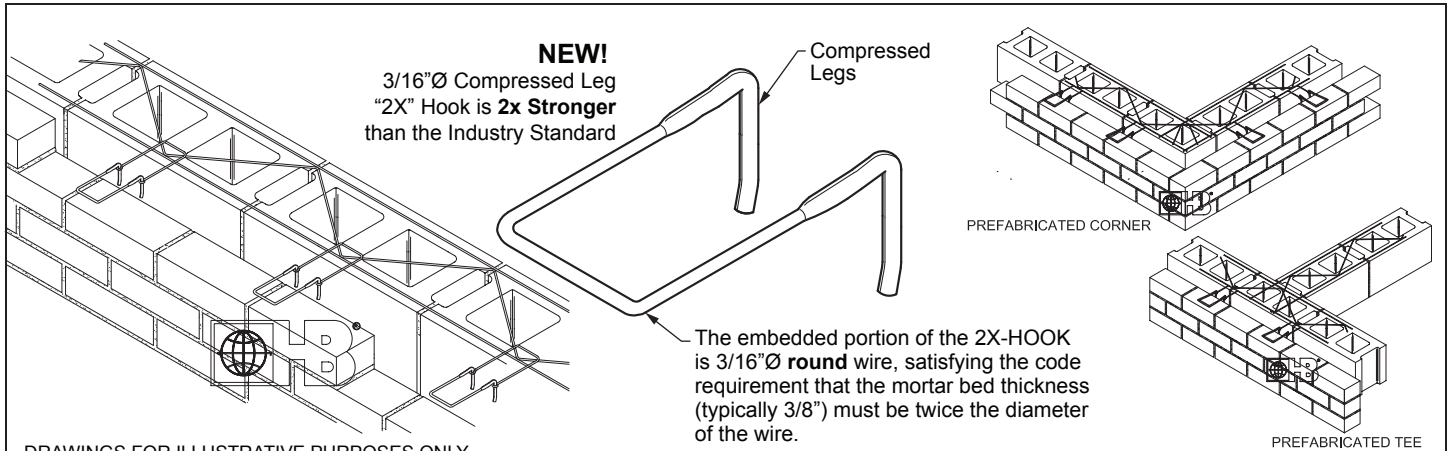




Lox♦All® Adjustable Joint Reinforcement

170-2X Truss Eye-Wire

Adjustable Reinforcement with 2X-Hook



DRAWINGS FOR ILLUSTRATIVE PURPOSES ONLY

Hohmann & Barnard's 2X-Hook has been tested and designed to withstand over 200-lbf, in tension or compression, at maximum allowed offset (TMS 402/602-16 12.2.2.5.5.4) of 1 1/4" (disengagement of the pintle from the veneer anchor). These results exceed BIA recommendations and the capabilities of standard "round wire" hooks/pintles by over 100%, while maintaining the ASTM A1064/1064M wire specification.

EYE-WIRE WITH 2X HOOKS (WORKING LOAD*)

CAVITY	0" OFFSET	5/8" OFFSET	1 1/4" OFFSET	TEST
4 1/2"	807#	478#	237#	TENSION
4 1/2"	709#	487#	288#	COMPRESSION
7 1/2"	851#	488#	266#	TENSION
7 1/2"	700#	463#	288#	COMPRESSION

* WORKING LOAD DETERMINED AT .05" DEFLECTION
Tests were completed for 3" and 6" insulation with 1 1/2" air cavity.

MATERIAL CONFORMANCE

Hohmann & Barnard joint reinforcement products conform to:
ASTM A951/A951M (Standard Specification for Steel Wire for Masonry Joint Reinforcement)
ACI / ASCE 530 (Building Code Requirements for Masonry Structures)
Wire (Carbon Steel): Prefabricated from cold-drawn steel wire conforming to **ASTM A1064/A1064M**
 Tensile Strength - 80,000 p.s.i. | Yield Point - 70,000 p.s.i. minimum
 Zinc Coating:
 Hot-Dip Galvanized after fabrication: **ASTM A153/A153M-B2** (1.5 oz/ft²)
Wire (Stainless Steel):
ASTM A580/ASTM A580M - AISI Type 304 or Type 316
H&B manufactures steel wire products from a minimum of 85% recycled material.

Wire Diameter/Dimensions:

9 gauge (.148" or W1.7) or 3/16"Ø (.187" or W2.8)
 Eyes and 2X-HOOKS (Pintles) are 3/16"Ø standard.
 Side Rods and Cross Rods available:
 • (S) Standard Weight: 9 GA Side Rods x 9 GA Cross Rods
 • (EH) Extra Heavy: 3/16"Ø Side Rods x 9 GA Cross Rods
 • (SHD) Super Heavy Duty: 3/16"Ø Side Rods x 3/16"Ø Cross Rods
 Cross Rods welded 16" O.C. First Cross Rods welded 12" in from each end to allow lap splices per code requirements.

NOTE: 2X-HOOK can be installed with legs pointing **UP** or **DOWN**.
2X-HOOK: U.S. Pat. No. 8,613,175

Eye-Wire Finish:

Hot-Dip Galvanized | Stainless Steel Type 304 Type 316

Note: H&B recommends Stainless Steel for maximum protection against corrosion.

Eye-Wire Size (10' length std., custom length special order):

(S) Standard (EH) Extra Heavy (SHD) Super Heavy Duty

Block Size: (Std. sizes: 4" - 16" wall, other widths available on special request.)

4" 6" 8" 10" 12" 14" 16"

ENTER WIDTHS (If not applicable, enter 0 or N/A for value):

INSULATION: _____ | **CAVITY:** _____ | **VENEER:** _____

Compressed Leg 2X-HOOK Finish:

Hot-Dip Galvanized | Stainless Steel Type 304 Type 316

3/16"Ø Compressed Leg 2X-HOOK: Length (Model), 3/16"Ø (5mm) wire

3" (300H-2X) 4" (400H-2X) 5" (500H-2X)
 6" (600H-2X) 7" (700H-2X)

IMPORTANT: Since each construction project is unique, the appropriate selection and use of any product contained herein must be determined by competent architects, engineers and other appropriate professionals who are familiar with the specific requirements of the project in question. This drawing and/or data sheet is the confidential and proprietary information of Hohmann & Barnard, Inc. and is not to be reproduced, copied or disclosed, in whole or in part, without the prior written consent of H&B.

HOHMANN & BARNARD, INC.
 CORPORATE HEADQUARTERS
 30 Rasons Ct.
 Hauppauge, NY 11788
 T: 800-645-0616 | www.h-b.com

Branch/Subsidiary Locations:
 ALABAMA - ILLINOIS - MARYLAND
 NEW YORK - PENNSYLVANIA - TEXAS
 UTAH - CANADA

© 2013-2022