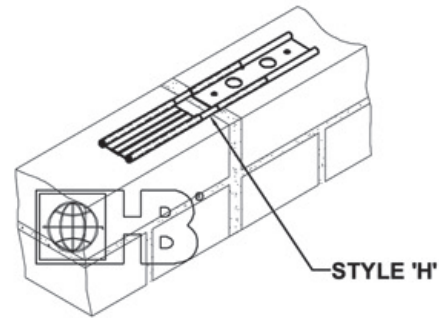
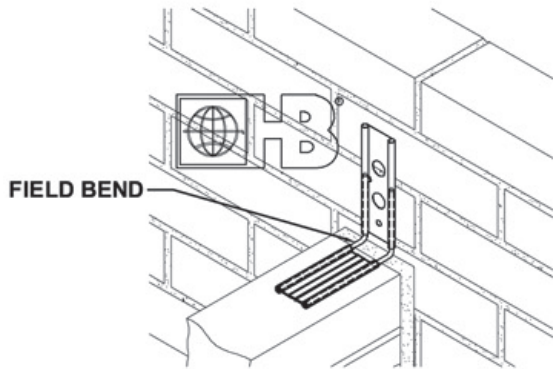
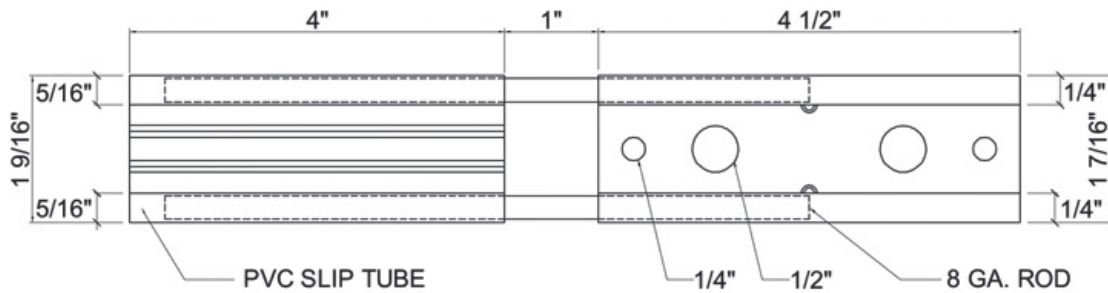


HOHMANN & BARNARD, INC.
a MiTek company

Ties & Anchors - Miscellaneous Slip-Set™ Stabilizer



DRAWINGS FOR ILLUSTRATIVE PURPOSES ONLY

Description:

Bonds masonry walls and restrains lateral movement while allowing expansion and control joints to perform as designed. Field bend to connect intersecting walls, or new walls to existing walls.

Wire (Carbon Steel):

Cold-drawn steel wire conforming to ASTM A1064/A1064M:
Tensile Strength - 80,000 p.s.i.
Yield Point - 70,000 p.s.i. minimum

Zinc Coating:

Mill Galvanized: ASTM A641/A641M (0.1 oz/ft²)
Hot-Dip Galvanized after fabrication (sheet metal ties and anchors):
ASTM A153/A153M-B2 Class B
Note: Hohmann & Barnard will certify to a minimum of 2.0 oz/ft²

Wire (Stainless Steel):

ASTM A580/A580M - AISI Type 304 (Type 316 available on special order)

Sheet Metal (Carbon Steel):

ASTM A1008/A1008M
Zinc Coating:
ASTM A653/A653M Coating Designation G60 (Mill Galvanized)
ASTM A153/A153M-B2 Class B (sheet metal ties and anchors hot-dip galvanized after fabrication).
NOTE: Hohmann & Barnard will certify to a minimum of 2.0 oz/ft²

Sheet Metal (Stainless Steel):

ASTM A 666, ASTM A480/480M, and ASTM A240/A240M
AISI Type 304 or 316

PVC Slip Tube:

Impact-resistant, rigid polyvinyl chloride tested in conformance with:
ASTM D1781 (Cell Classification)
ASTM D2240 (Hardness Shore D)
ASTM D638 (Tensile Yield & Modulus)
ASTM D790 (Flexural Strength & Modulus)

Finish:

- Mill Galvanized
- Hot-Dip Galvanized after fabrication
- Stainless Steel Type 304
- Stainless Steel Type 316

Note: Hohmann & Barnard recommends Stainless Steel for maximum protection against corrosion.

IMPORTANT: Since each construction project is unique, the appropriate selection and use of any product contained herein must be determined by competent architects, engineers and other appropriate professionals who are familiar with the specific requirements of the project in question. This drawing and/or data sheet is the confidential and proprietary information of Hohmann & Barnard, Inc. and is not to be reproduced, copied or disclosed, in whole or in part, without the prior written consent of H&B.

HOHMANN & BARNARD, Inc.
30 Rasons Court | Hauppauge, NY 11788
CORPORATE HEADQUARTERS
T: 800.645.0616 F: 631.234.0683
www.h-b.com

Branch/Subsidiary Locations:
ALABAMA - ARIZONA - ILLINOIS
MARYLAND - NEW YORK
PENNSYLVANIA - TEXAS - UTAH
CANADA

© 2013-2017 MiTek®