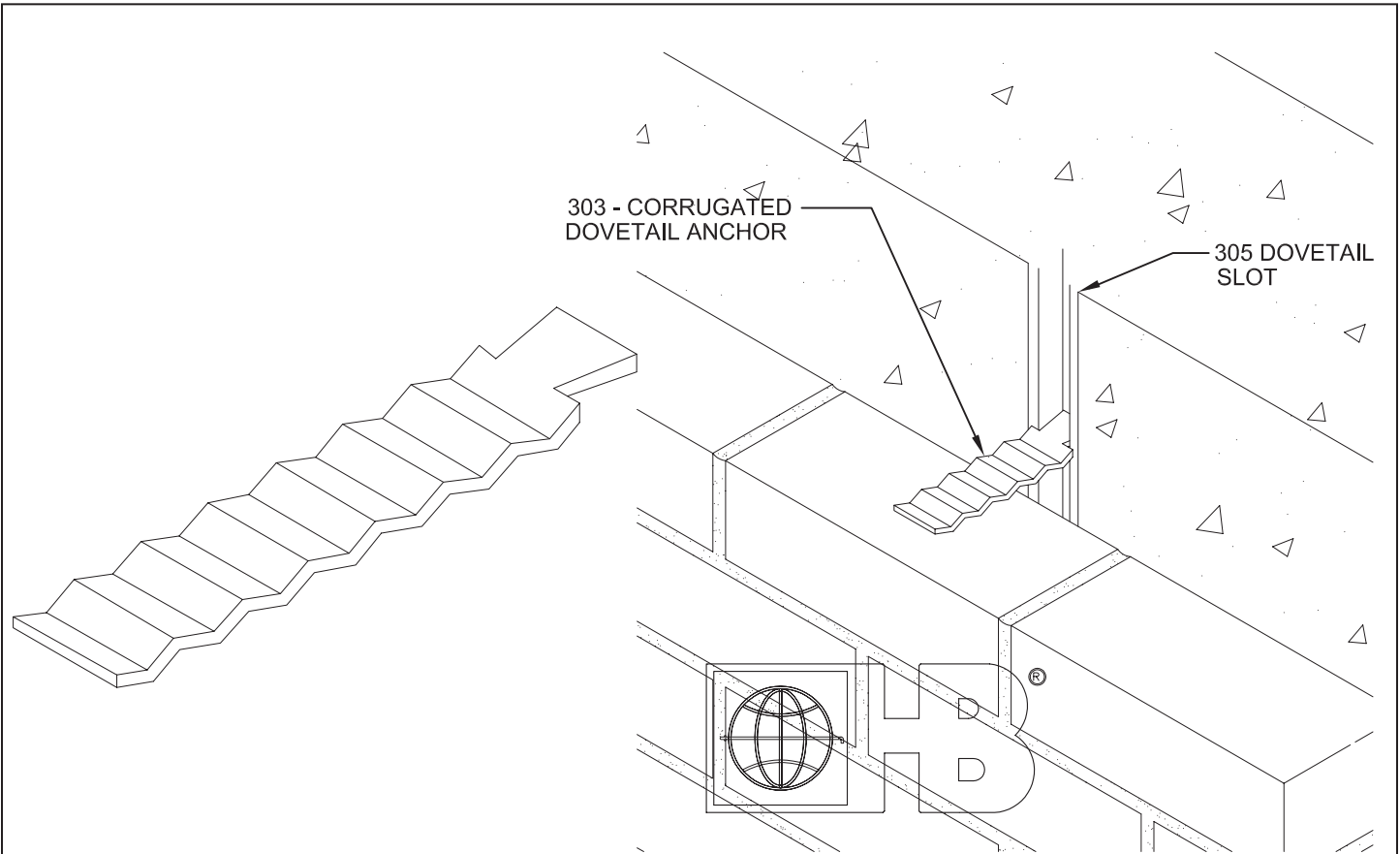




HOHMANN & BARNARD, INC.
A MiTek - BERKSHIRE HATHAWAY COMPANY

Dovetail Anchors, Slots & Ties

303 - Corrugated Dovetail Brick Tie



DRAWINGS FOR ILLUSTRATIVE PURPOSES ONLY

303 Corrugated Dovetail Brick Tie for anchoring masonry to concrete with 305 Dovetail Slot.

Standard - 1" wide x 16ga., 14 ga., or 12 ga. thick x 3 1/2" or 5 1/2" long. Other lengths available upon request.

MATERIAL CONFORMANCE

Sheet Metal (Carbon Steel):

ASTM A1008/A1008M

Zinc Coating:

Mill Galvanized: ASTM A653/A653M Class G60 (0.6 oz/ft²)

Hot-Dip Galvanized after fabrication: ASTM A153/A153M Class B

Note: Hohmann & Barnard will certify Hot-Dip Galvanized to a minimum of 2.0 oz/ft²

Sheet Metal (Stainless Steel):

ASTM A 666, ASTM A 480, ASTM A240/A240M, ASTM A167 - AISI Type 304 (Type 316 available on special order)

Hohmann & Barnard is not responsible for incompatibility if ties or slots are interchanged with those of other manufacturers.

303 Finish:

- Hot-Dip Galvanized
- Stainless Steel - Type 304 (Type 316 available on special order)

303 Thickness:

- 16 gauge
- 14 gauge
- 12 gauge

Length:

- 3 1/2"
- 5 1/2"
- Other _____

305 Dovetail Slot Thickness (slots are 10 ft lengths, foam filled.):

- 24 gauge
- 22 gauge
- 18 gauge
- 16 gauge

305 Dovetail Slot Finish:

- Mill Galvanized
- Hot-Dip Galvanized (not available for 24 ga.)
- Stainless Steel - Type 304 (Type 316 available on special order)

Note: Hohmann & Barnard recommends Stainless Steel for maximum protection against corrosion.

HOHMANN & BARNARD, Inc.
30 Rasons Court | Hauppauge, NY 11788
CORPORATE HEADQUARTERS
T: 800.645.0616 F: 631.234.0683
www.h-b.com

Branch/Subsidiary Locations:
ALABAMA - ILLINOIS - MARYLAND
NEW YORK - PENNSYLVANIA - TEXAS
CANADA

© HOHMANN & BARNARD, INC. - 2012