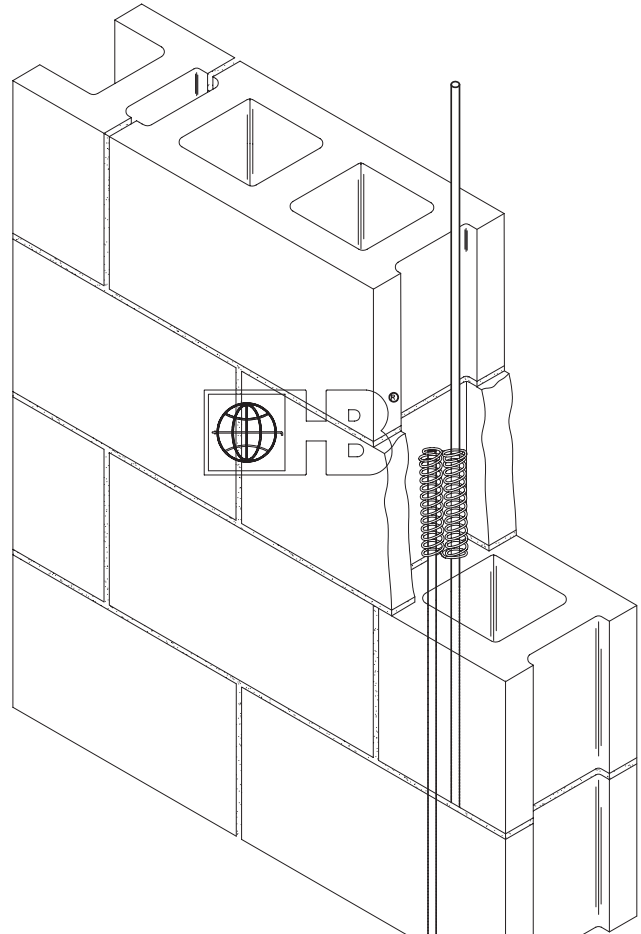
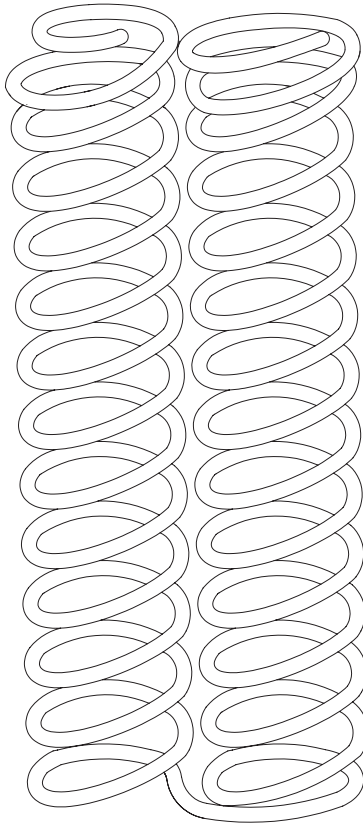




**HOHMANN & BARNARD, INC.**  
A MiTek - BERKSHIRE HATHAWAY COMPANY

## Rebar Positioners

# Spyra-Lox<sup>®</sup> Rebar Lap-Joint Tie



DRAWINGS FOR ILLUSTRATIVE PURPOSES ONLY

### Spyra-Lox<sup>®</sup> Rebar Lap-Joint Tie

No tools needed. Eliminates cumbersome procedure of tying lap-joined rebars together in reinforced walls. Increases worker productivity. Reduces lifting-height of block over rebars. Flow-through design allows grout to uniformly encase rebars at overlap.

#### Wire (Carbon Steel):

Cold-drawn steel wire conforming to ASTM

A1064/A1064M:

Tensile Strength - 80,000 p.s.i.

Yield Point - 70,000 p.s.i. minimum

Zinc coating: ASTM A641/A641M (0.1 oz/ft<sup>2</sup>) (Mill Galvanized)

**Finish:** Mill Galvanized

#### Product:

- SL 4/5 - #4 or #5 rebar
- SL 6/7 - #6 or #7 rebar
- SL 8/9 - #8 or #9 rebar (#9 is 1 1/8" o.d. nominal, 1.27" actual)
- SL 11 - #11 rebar (1 1/4" o.d. nominal, 1.41" actual)

**H&B manufactures steel wire products from a minimum of 95% recycled material.**

**IMPORTANT:** Since each construction project is unique, the appropriate selection and use of any product contained herein must be determined by competent architects, engineers and other appropriate professionals who are familiar with the specific requirements of the project in question.

**HOHMANN & BARNARD, Inc.**

30 Rasons Court | Hauppauge, NY 11788  
CORPORATE HEADQUARTERS

T: 800.645.0616 F: 631.234.0683

[www.h-b.com](http://www.h-b.com)

**Branch/Subsidiary Locations:**

ALABAMA - ILLINOIS - MARYLAND

NEW YORK - PENNSYLVANIA - TEXAS

UTAH - CANADA

© HOHMANN & BARNARD, INC. - 2015