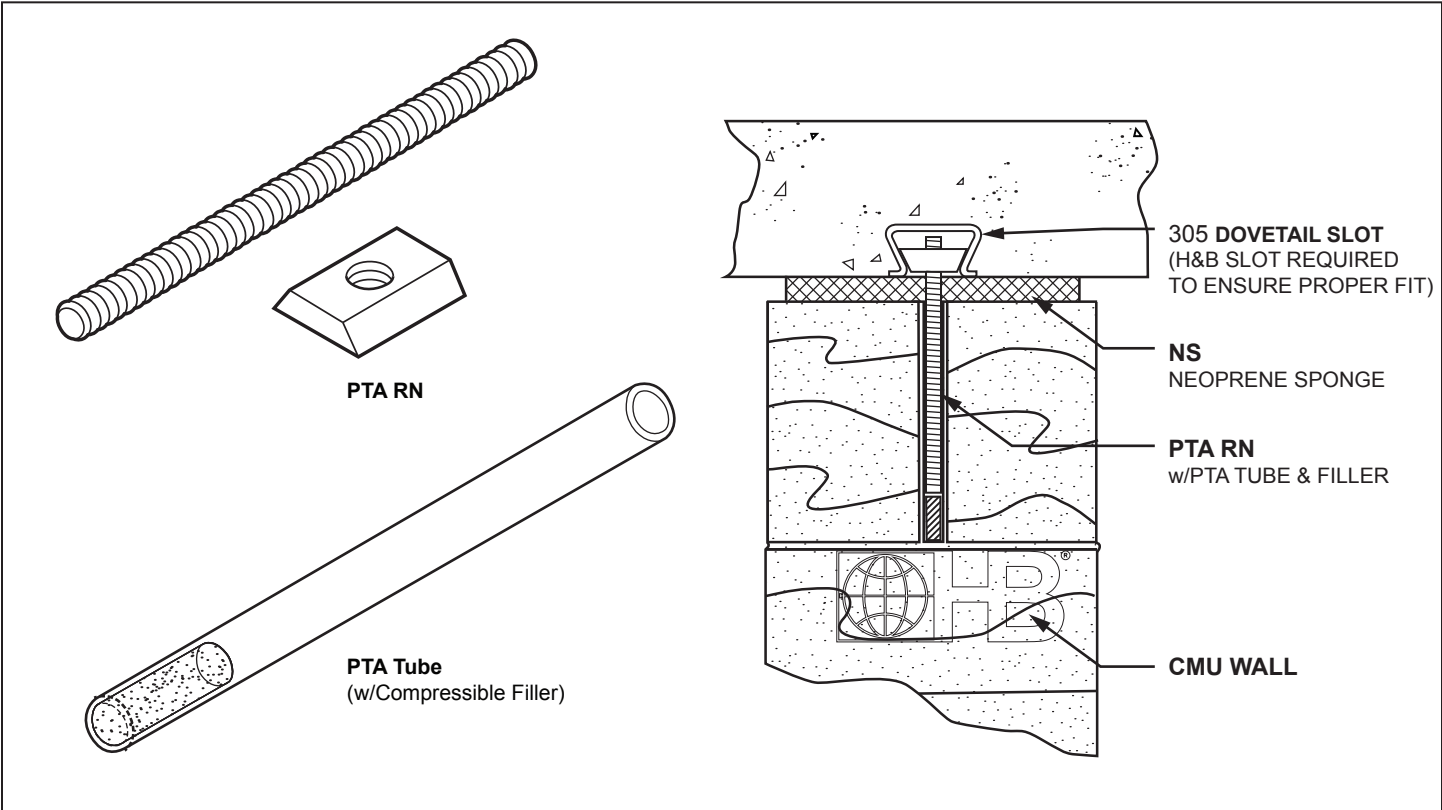


PTA Series Partition Top Anchors

PTA RN Rod & Nut



DRAWINGS FOR ILLUSTRATIVE PURPOSES ONLY

PTA RN Rod & Nut - PTA Series Partition Top Anchors have been developed to provide lateral shear resistance at the upper limit of masonry walls. They permit vertical deflection of the slab above, without transferring compressive loads to the masonry wall below. PTA Series Anchors are suitable for construction using steel or concrete. PTA Tube with expansion filler is placed over rod anchor, which has been attached to concrete or steel by any of the methods illustrated. The vertical joint is then filled with mortar, fully surrounding the tube.

Note: PTA RN must be used in conjunction with 305 Dovetail Slot.

Size: 3/8" threaded rod with beveled nut

Rod (Mill Galvanized):

Zinc Plated - **ASTM A108, ASTM A36/A36M, ASTM B633**

Rod (Stainless Steel):

ASTM A582/A582M - AISI Type 304 or 316 Stainless Steel

Beveled Nut (Mill Galvanized):

Zinc Plated - **ASTM A563 grade A, ASTM B633**

Beveled Nut (Stainless Steel): ASTM A276 / A276M - AISI Type 304 or 316 Stainless Steel

PTA Tube:

Manufactured from Clear Butyrate.

Tested in conformance with **ASTM D542, ASTM D149, ASTM D696, and ASTM D257.**

Finishes:

Stainless Steel:

Type 304

Type 316

Note: H&B recommends Stainless Steel for maximum protection against corrosion.

Note: NS Neoprene sponge also available, submittal sheet available for download from h-b.com or upon request.

IMPORTANT: Since each construction project is unique, the appropriate selection and use of any product contained herein must be determined by competent architects, engineers and other appropriate professionals who are familiar with the specific requirements of the project in question. This drawing and/or data sheet is the confidential and proprietary information of Hohmann & Barnard, Inc. and is not to be reproduced, copied or disclosed, in whole or in part, without the prior written consent of H&B.