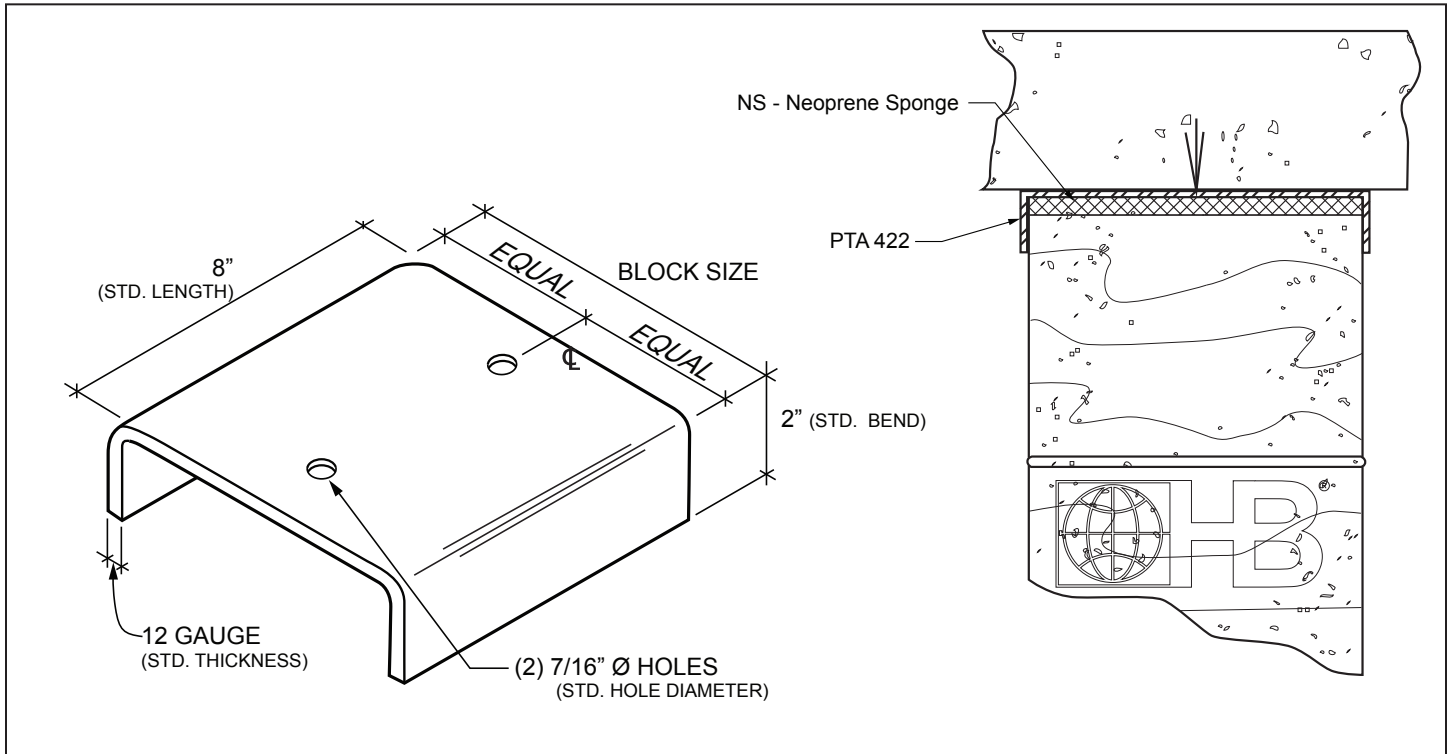


HOHMANN & BARNARD, INC.
a MiTek company

PTA Series Partition Top Anchors

PTA 422



DRAWINGS FOR ILLUSTRATIVE PURPOSES ONLY

Dimensions:

12 gauge (7/16" dia. holes). Custom dimensions available, including heavy-duty styles for hurricane velocity wind loads.

Finishes:

Sheet Metal (Carbon Steel):

ASTM A1008/A1008M/A (Cold-rolled)

ASTM A1011/A1011M (Hot-rolled, pickled and oiled)

Sheet Metal (Carbon-Steel):

Mill Galvanized - ASTM A653/A653M Coating Designation G60

Hot-Dip Galvanized - ASTM A153/A153M-B2 class B (sheet metal ties and anchors hot-dip galvanized after fabrication).

Sheet Metal (Stainless Steel):

ASTM A 666, ASTM A480/480M, and ASTM A240/A240M

AISI Type 304 or 316

Thickness:

12 ga. (STD) CUSTOM _____

Length:

8" (STD) CUSTOM _____

Bend Length:

2" (STD) CUSTOM _____

Hole Diameter:

7/16"Ø (STD) CUSTOM _____

Finishes:

Mill Galvanized Hot-Dip Galvanized
Stainless Steel: Type 304 Type 316

Size: (block size)

4" 10"
 6" 12"
 8"

Note: H&B recommends Stainless Steel for maximum protection against corrosion.

Note: NS Neoprene sponge also available, submittal sheet available for download from h-b.com or upon request.

IMPORTANT: Since each construction project is unique, the appropriate selection and use of any product contained herein must be determined by competent architects, engineers and other appropriate professionals who are familiar with the specific requirements of the project in question. This drawing and/or data sheet is the confidential and proprietary information of Hohmann & Barnard, Inc. and is not to be reproduced, copied or disclosed, in whole or in part, without the prior written consent of H&B.

HOHMANN & BARNARD, Inc.
CORPORATE HEADQUARTERS
30 Rasons Court | Hauppauge, NY 11788
T: 800.645.0616 F: 631.234.0683
www.h-b.com

Branch/Subsidiary Locations:
ALABAMA - ARIZONA - ILLINOIS
MARYLAND - NEW YORK
PENNSYLVANIA - TEXAS - UTAH
CANADA

© 2013-2017 MiTek®