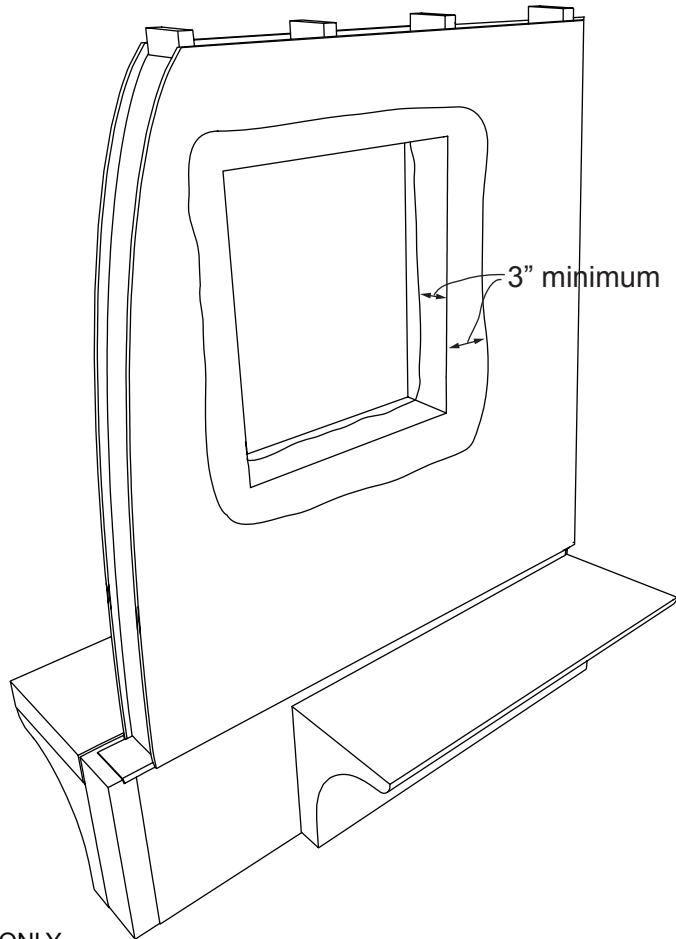


## Flashing and Reglets

# Spray-Tape™

Water-Based Liquid Detail Flashing for Hohmann & Barnard Air Barriers



### DRAWINGS FOR ILLUSTRATIVE PURPOSES ONLY

Hohmann & Barnard Spray-Tape™ is a water based single component spray or brush applied detail flashing for Hohmann & Barnard/Sandell air barriers. It is designed to seal door/window openings, terminations, edges of patches and overlaps in detail areas.

- Excellent adhesion – bonds to substrate and remains permanently pressure sensitive.
- Aggressive tack – provides a tenacious bond to substrates such as CMU, glass faced sheathing panels, plywood and OSB.
- Fast Drying – allows for tight application schedules
- VOC compliant – water-based and contains no hazardous or flammable solvents.
- Low odor – no noxious fumes.
- Maintains performance in extreme temperatures

#### Packaging

Spray-Tape comes in 5 gallon pails.

**\* Please refer to Hohmann & Barnard installation instructions for more information.**

**Surface Preparation:** All surfaces to receive Hohmann & Barnard Spray-Tape must be free from frost, dirt, grease, oil or other contaminants. Failure to remove excessive dirt may result in adhesion failure.

**Application:** Apply Spray-Tape by spray or brush in dry weather with ambient and substrate temperatures above 40°F (5°C). Surface must be dry and clean. Spray-Tape must be applied at 60 mils wet film thickness. Please refer to Hohmann & Barnard details for specific applications.

**Drying:** Allow Spray-Tape to tack cure (typically 2-4 hours) prior to application of air barrier products. Drying times may vary depending on temperature and humidity conditions.

**Storage & Handling:** Hohmann & Barnard Spray-Tape should be stored under cover in original sealed containers above 40°F (4°C) and below 100°F (38°C). The shelf life is 1 year for unopened containers

**Cleanup:** Wet uncured mastic may be removed with soapy water. For dry fully cured Spray-Tape, a citrus based cleaner may be used.

**IMPORTANT:** Since each construction project is unique, the appropriate selection and use of any product contained herein must be determined by competent architects, engineers and other appropriate professionals who are familiar with the specific requirements of the project in question. This drawing and/or data sheet is the confidential and proprietary information of Hohmann & Barnard, Inc. and is not to be reproduced, copied or disclosed, in whole or in part, without the prior written consent of H&B.

**HOHMANN & BARNARD, Inc.**

30 Rasons Court | Hauppauge, NY 11788  
CORPORATE HEADQUARTERS

T: 800.645.0616 F: 631.234.0683

[www.h-b.com](http://www.h-b.com)

**Branch/Subsidiary Locations:**

ALABAMA - ARIZONA - ILLINOIS

MARYLAND - NEW YORK

PENNSYLVANIA - TEXAS - UTAH

CANADA

© 2013-2018 MiTek®