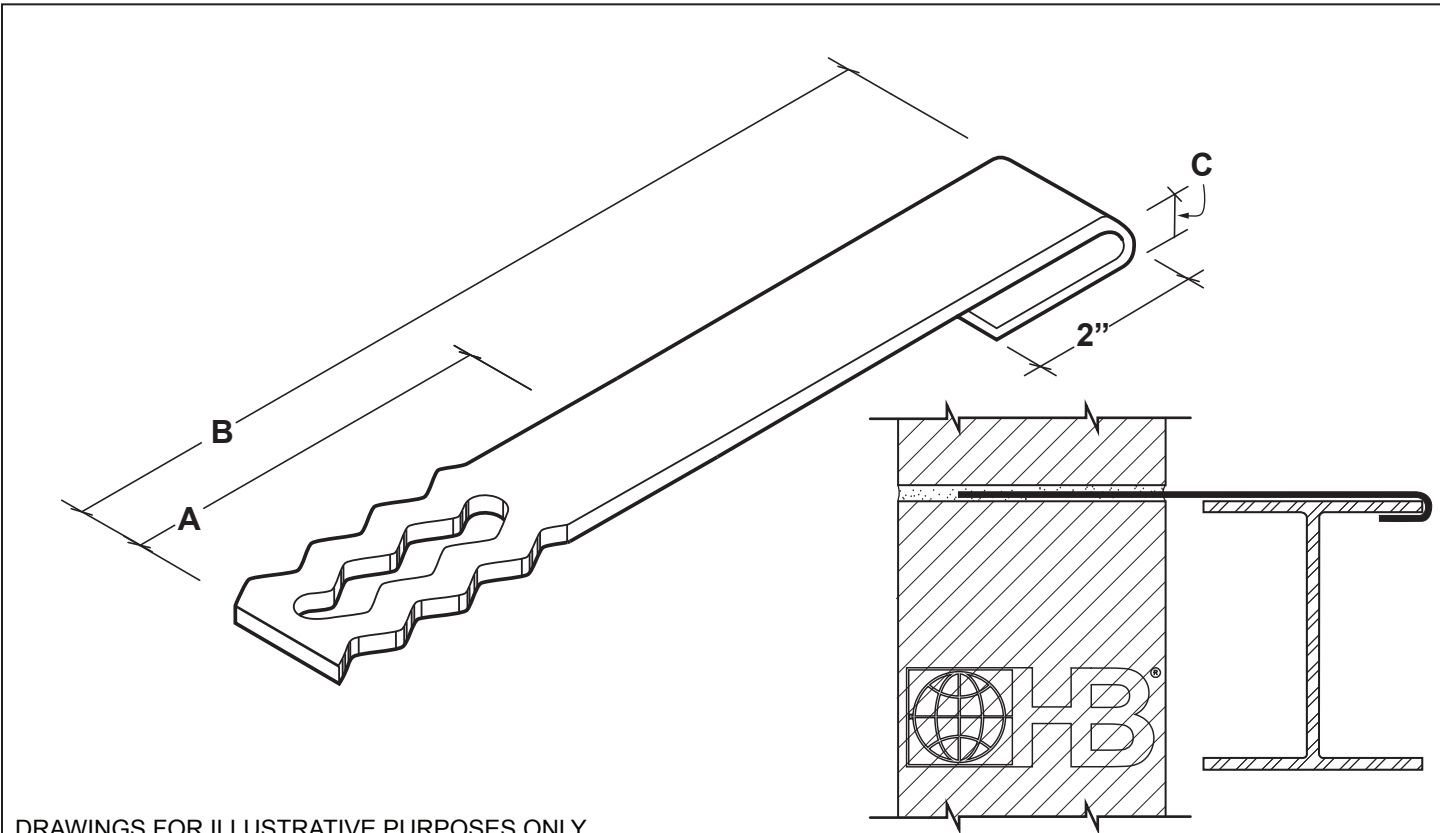


Column and Beam Anchors

357 - Beam Anchor



DRAWINGS FOR ILLUSTRATIVE PURPOSES ONLY

357 Beam Anchor for anchoring masonry to structural beam.

Sheet Metal (Carbon Steel):

ASTM A1008/A1008M

Zinc Coating:

Hot-Dip Galvanized after fabrication: ASTM A153/A153M-B2 (1.5 oz/ft²)

Note: Hohmann & Barnard will certify Hot-Dip Galvanized to a minimum of 2.0 oz/ft²

Sheet Metal (Stainless Steel):

ASTM A 666, ASTM A480/480M, and ASTM A240/A240M

AISI Type 304 or 316

U.S. Patent No. 8,904,731; Canadian Patent No. 2,844,459

Heavy-duty plate for beam anchors is 99% recycled material. Stainless Steel products have an average of 60% recycled material.

Dimensions:

1 1/4" wide x 12 gauge thick x length to suit. Other thicknesses (including 1/4" thick) available upon request.

Finish:

- Hot-Dip Galvanized
- Stainless Steel - Type 304
- Stainless Steel - Type 316

Note: H&B recommends Stainless Steel for maximum protection against corrosion.

Anchor Thickness:

- 12 gauge (Standard)
- Other _____

A. Length: _____ (CORRUGATED)

B. Length: _____ (OVERALL)

C. Inside Diameter of Hook: 1-1/2" (Standard) Other _____

IMPORTANT: Since each construction project is unique, the appropriate selection and use of any product contained herein must be determined by competent architects, engineers and other appropriate professionals who are familiar with the specific requirements of the project in question. This drawing and/or data sheet is the confidential and proprietary information of Hohmann & Barnard, Inc. and is not to be reproduced, copied or disclosed, in whole or in part, without the prior written consent of H&B.