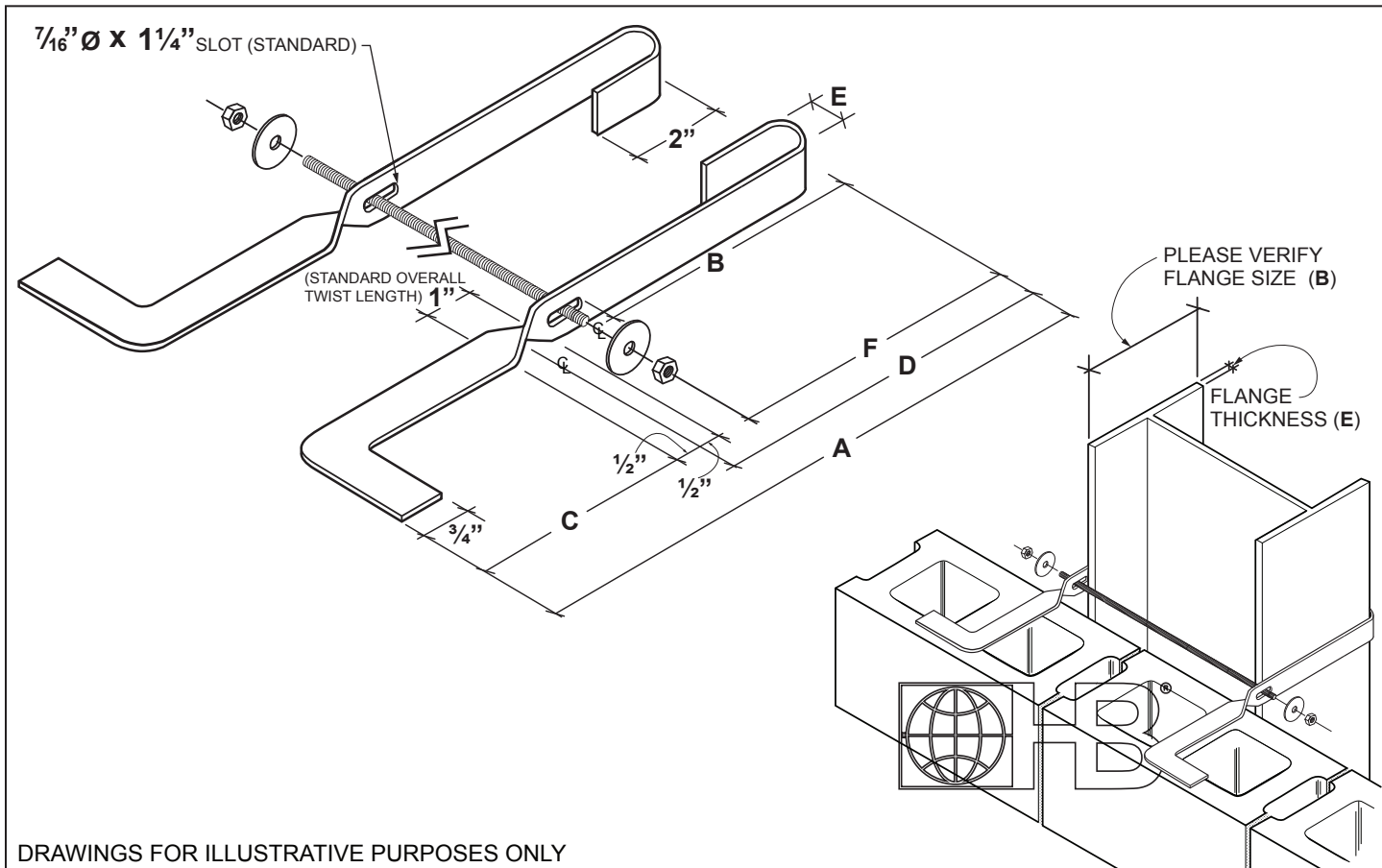


Column and Beam Anchors

356L Column Anchor



DRAWINGS FOR ILLUSTRATIVE PURPOSES ONLY

Description:

For anchoring masonry to structural column when masonry is perpendicular to column flange. #356L has a slotted hole to accept Positive Lok Rod.

Sheet Metal (Carbon Steel):

ASTM A1008/A1008M or ASTM A36/A36M

Zinc Coating:

Hot-Dip Galvanized: ASTM A123/A123M or ASTM A153/A153M-B2 Class B (1.5 oz/ft²) (steel plates and bars hot-dip galvanized after fabrication, as applicable to size and form indicated)

Sheet Metal (Stainless Steel):

ASTM A 666, ASTM A480/480M, and ASTM A240/A240M

AISI Type 304 or 316

Dimensions:

1 1/4" wide x 1/4" or 12 ga. thick x length to suit.
Custom sizes available.

Heavy-duty plate for column and beam anchors is 99% recycled material. Stainless Steel products have an average of 60% recycled material.

Anchor Dimensions: (refer to the drawing above)

A. Overall Length _____

B. Column Flange _____

C. Length Past End of Twist _____

D. Length to Centerline of Twist _____

E. Inside Diameter of Hook _____ (per thickness of flange)

F. Length to Centerline of Slot _____

NOTE: Custom sizes available.

Anchor Thickness:

1/4" 12 gauge

Finish:

Hot-Dip Galv. Stainless Steel: Type 304 Type 316

Note: H&B recommends Stainless Steel for maximum protection against corrosion.