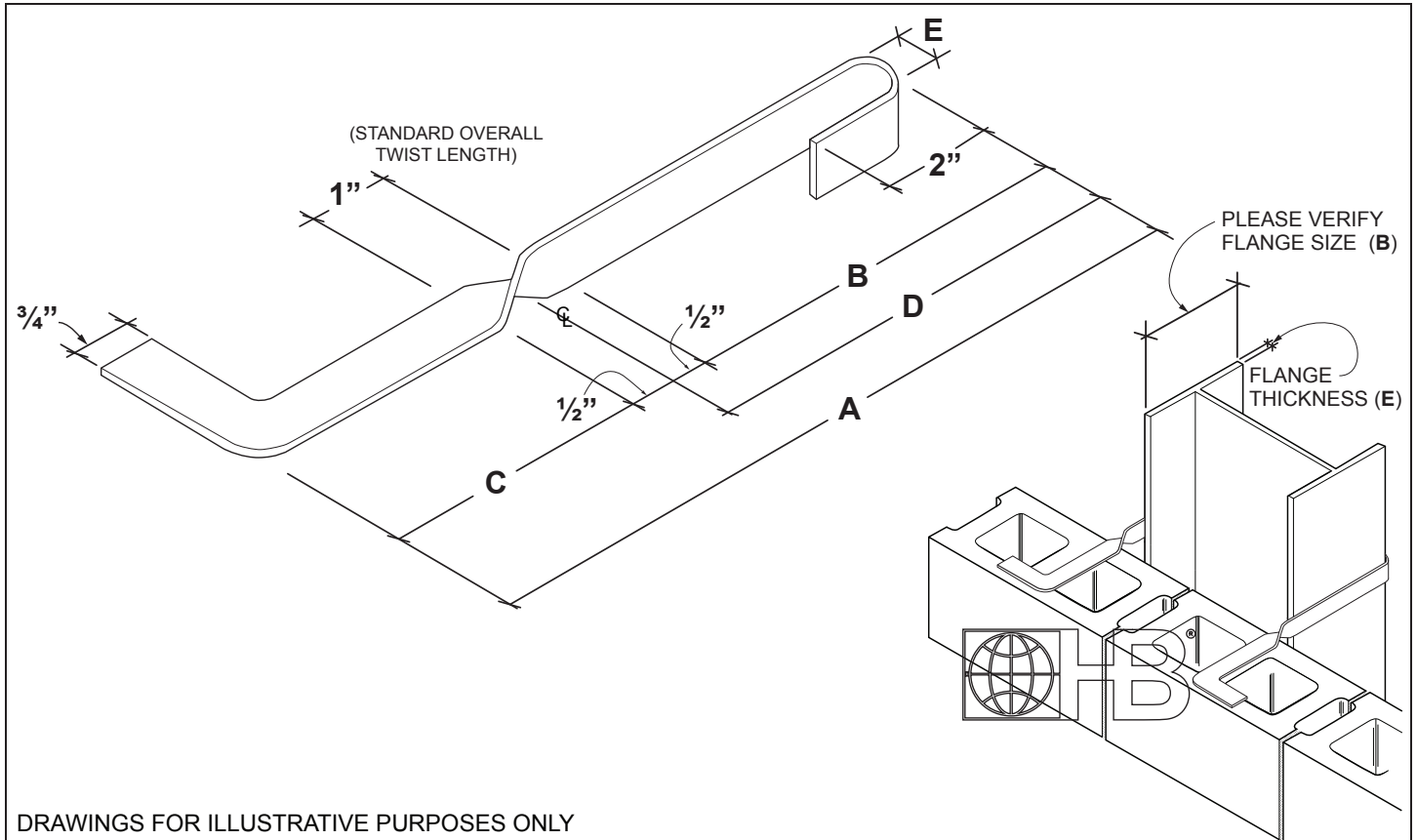


HOHMANN & BARNARD, INC.
a MiTek company

Column and Beam Anchors

356 Column Anchor



DRAWINGS FOR ILLUSTRATIVE PURPOSES ONLY

356 Column Anchor is for anchoring masonry to structural column when masonry is perpendicular to column flange.

Sheet Metal (Carbon Steel):

ASTM A1008/A1008M or ASTM A36/A36M

Zinc Coating:

Hot-Dip Galvanized: ASTM A123/A123M or ASTM A153/A153M-B2 Class B (1.5 oz/ft²) (steel plates and bars hot-dip galvanized after fabrication, as applicable to size and form indicated)

Sheet Metal (Stainless Steel):

ASTM A 666, ASTM A480/480M, and ASTM A240/A240M

AISI Type 304 or 316

Heavy-duty plate for column and beam anchors is 99% recycled material. Stainless Steel products have an average of 60% recycled material.

Dimensions:

3/4" wide x 1/4" thick x length to suit.

Anchor Dimensions: (refer to the drawing above)

A. Overall Length _____

B. Column Flange _____

C. Length Past End of Twist _____

D. Length to Centerline of Twist _____

E. Inside Diameter of Hook _____ (per thickness of flange)

NOTE: Custom sizes available.

Finish:

Hot-Dip Galv.

Stainless Steel: Type 304 Type 316

NOTE: H&B recommends Stainless Steel for maximum protection against corrosion.

HOHMANN & BARNARD, Inc.
30 Rasons Court | Hauppauge, NY 11788
CORPORATE HEADQUARTERS
T: 800.645.0616 F: 631.234.0683
www.h-b.com

Branch/Subsidiary Locations:
ALABAMA - ARIZONA - ILLINOIS
MARYLAND - NEW YORK
PENNSYLVANIA - TEXAS - UTAH
CANADA

© HOHMANN & BARNARD, INC. - 2016