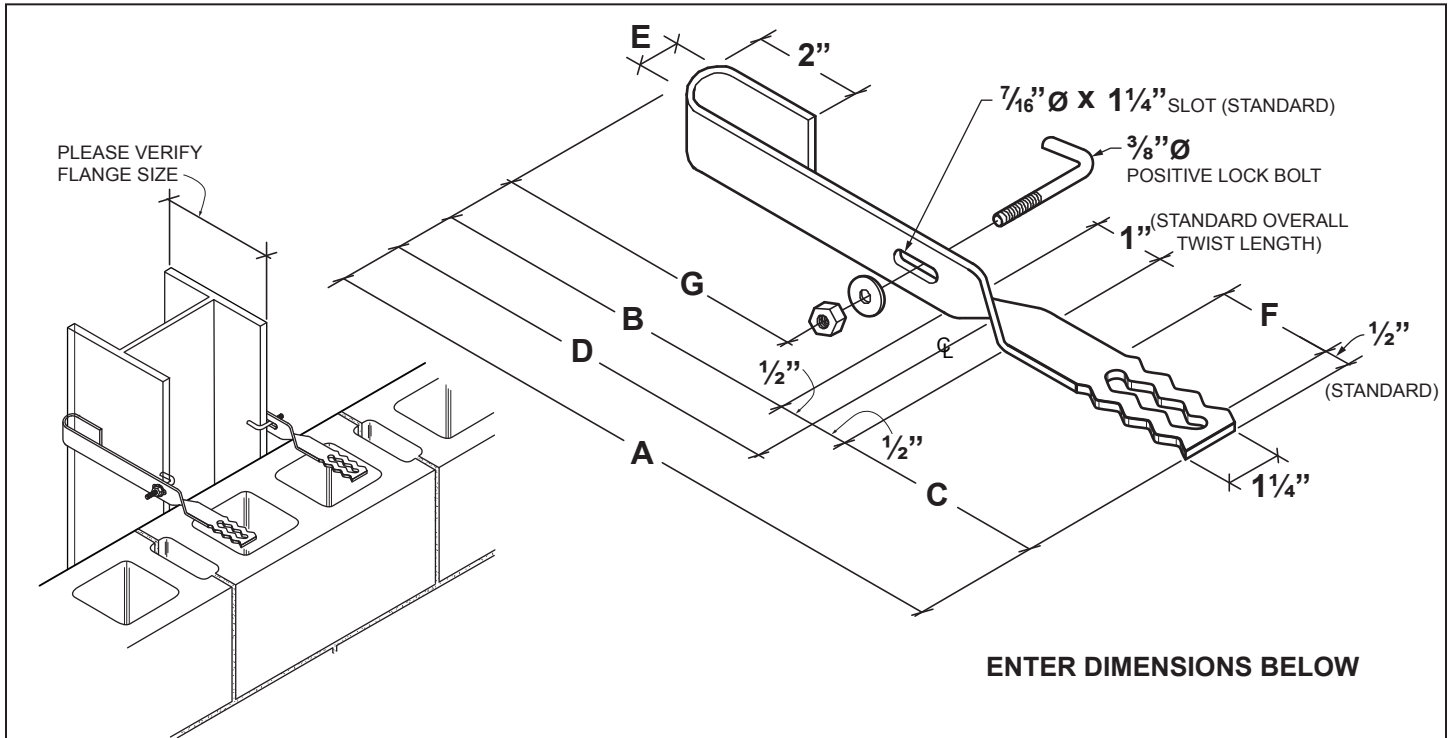


Column and Beam Anchors

353L - Column Anchor



DRAWINGS FOR ILLUSTRATIVE PURPOSES ONLY

The 353L has a slotted hole to accept a Positive Lok Bolt to mechanically engage both sides of flange. For anchoring masonry to structural columns when masonry is perpendicular to the column flange while restraining both positive and negative wind load actions.

Sheet Metal (Carbon Steel):

ASTM A1008/A1008M or ASTM A36/A36M

Zinc Coating:

Hot-Dip Galvanized: ASTM A123/A123M or ASTM A153/A153M-B2 Class B (1.5 oz/ft²) (steel plates and bars hot-dip galvanized after fabrication, as applicable to size and form indicated)

Sheet Metal (Stainless Steel):

ASTM A 666, ASTM A480/480M, and ASTM A240/A240M
AISI Type 304 or 316

Dimensions:

1 1/4" wide x 12 gauge or 1/4" thick x length to suit. Made to order based on dimensions listed to the right.

Lock Bolt:

Available in 303/304 Stainless Steel only.

U.S. Patent No. 8,904,731; Canadian Patent No. 2,844,459

Heavy-duty plate for column and beam anchors is 99% recycled material. Stainless Steel products have an average of 60% recycled material.

Finish:

Hot-Dip Galv. Stainless Steel: Type 304 Type 316

Note: H&B recommends Stainless Steel for maximum protection against corrosion.

Anchor Thickness:

12 gauge 1/4" (heavy-duty) Custom _____

Anchor Dimensions: (refer to the drawing above)

A. Overall Length _____

B. Column Flange _____

C. Length Past End of Twist _____

D. Length to Centerline of Twist _____

E. Inside Diameter of Hook _____

F. Keyed Length _____

G. Length to Centerline of Slot _____

IMPORTANT: Since each construction project is unique, the appropriate selection and use of any product contained herein must be determined by competent architects, engineers and other appropriate professionals who are familiar with the specific requirements of the project in question. This drawing and/or data sheet is the confidential and proprietary information of Hohmann & Barnard, Inc. and is not to be reproduced, copied or disclosed, in whole or in part, without the prior written consent of H&B.