

# SHEATHING JOINT & FASTENER TREATMENT

## ENVIRO-BARRIER™ SILICONE AIR AND WATER-RESISTIVE BARRIER SYSTEM

### INSTALLATION NOTES

#### METHOD A

**A1:** Apply ENVIRO-BARRIER LIQUID-FLASH SILICONE AWB and trowel over the joint seam to a nominal 2" width centered on the joint at a minimum thickness of 25-40 mils

#### METHOD B

**B1:** Apply a liberal coat (min. 10 mils) of ENVIRO-BARRIER SILICONE AWB in sufficient width to accommodate EB REINFORCING FABRIC.

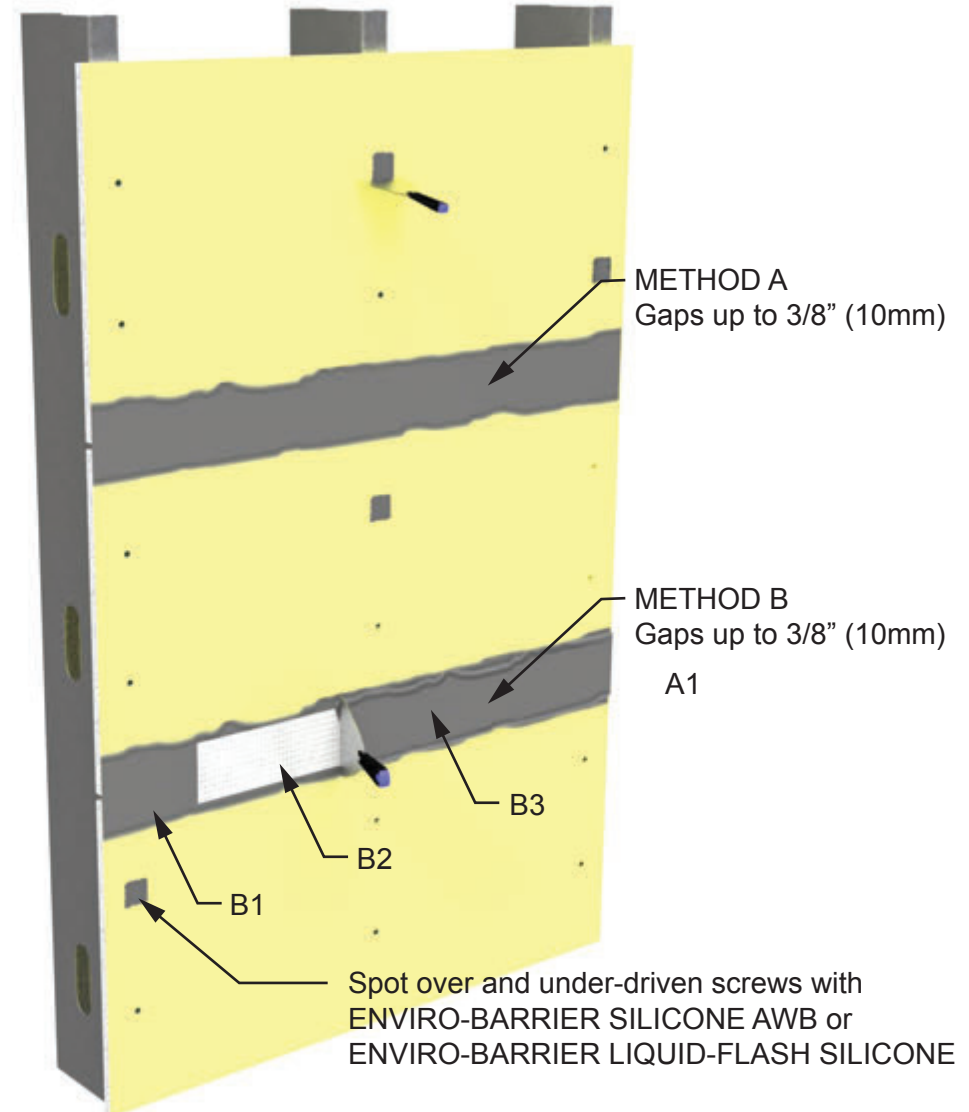
**B2:** While still wet, set EB REINFORCING FABRIC into the ENVIRO-BARRIER SILICONE AWB and center on joint.

**B3:** Apply a second coat (min. 10 mils) of ENVIRO-BARRIER SILICONE AWB immediately over the EB REINFORCING FABRIC ensuring a pinhole free application is achieved.

#### NOTES:

- Sheathing joints may be treated before or after the application of the ENVIRO-BARRIER SILICONE AWB.
- Confirm ENVIRO-BARRIER SILICONE AWB is dry to the touch prior to the application of ENVIRO-BARRIER LIQUID-FLASH SILICONE.
- METHOD A can be used up to ¼" (6mm) without stud backing and up to 3/8" with stud backing.
- A notched trowel may simplify the application of ENVIRO-BARRIER LIQUID-FLASH SILICONE.
- For gaps > 3/8" see detail A102
- See ENVIRO-BARRIER SILICONE AWB data sheet for a list of additional acceptable sealants/liquid flashing products.

IMAGE FOR ILLUSTRATIVE PURPOSES ONLY  
NOT TO SCALE



**HOHMANN & BARNARD, Inc.**

30 Rasons Court | Hauppauge, NY 11788

T: 800.645.0616 F: 631.234.0683 [www.h-b.com](http://www.h-b.com)

DATE: 05/01/2021

DETAIL: EB-SI-AWB-01

**IMPORTANT:** Since each construction project is unique, the appropriate selection and use of any product contained herein must be determined by competent architects, engineers and other appropriate professionals who are familiar with the specific requirements of the project in question. This drawing and/or data sheet is the confidential and proprietary information of Hohmann & Barnard, Inc. and is not to be reproduced, copied or disclosed, in whole or in part, without the prior written consent of H&B.



HOHMANN & BARNARD, INC.

## STATIC JOINTS > 3/8", EXPANSION & DRIFT JOINTS

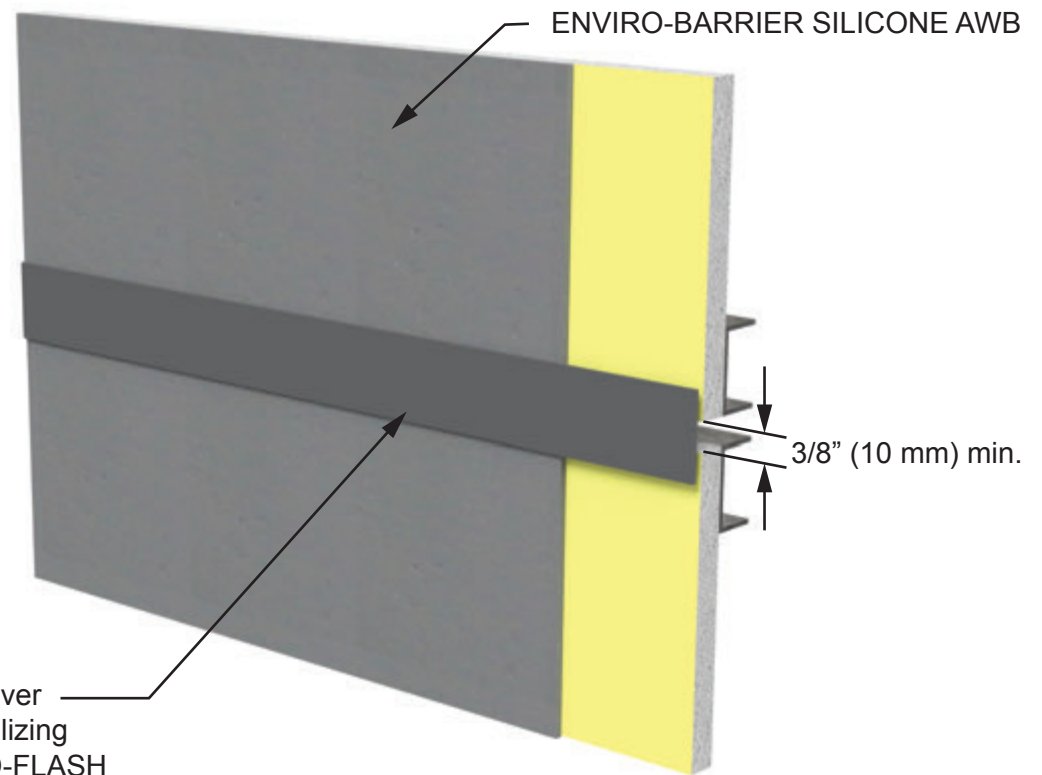
### ENVIRO-BARRIER™ SILICONE AIR AND WATER-RESISTIVE BARRIER SYSTEM

#### INSTALLATION NOTES

##### NOTES:

- EB SILICONE TS may be applied either before or after application of ENVIRO-BARRIER SILICONE AWB.
- When utilizing ENVIRO-BARRIER LIQUID-FLASH SILICONE as an adhesive, spread/trowel smooth to 25-40 mils thick. Adhere EB SILICONE TS and ensure edges are fully embedded in ENVIRO-BARRIER LIQUID-FLASH SILICONE.
- When utilizing ENVIRO-BARRIER SILICONE as an adhesive, apply first coat (min. 10 mils) by roller in sufficient width to accommodate EB SILICONE TS. Wait until coating becomes tacky and press EB SILICONE TS into the coating. Apply a second coat of ENVIRO-BARRIER SILICONE AWB (min. 10 mils) immediately over the EB SILICONE TS.
- See ENVIRO-BARRIER SILICONE AWB data sheet for a list of additional acceptable sealants/liquid flashing products.

IMAGE FOR ILLUSTRATIVE PURPOSES ONLY  
NOT TO SCALE



Adhere EB SILICONE TS over center of expansion joint utilizing ENVIRO-BARRIER LIQUID-FLASH SILICONE or ENVIRO-BARRIER SILICONE AWB as adhesive.

**HOHMANN & BARNARD, Inc.**

30 Rasons Court | Hauppauge, NY 11788

T: 800.645.0616 F: 631.234.0683 [www.h-b.com](http://www.h-b.com)

DATE: 05/01/2021

DETAIL: EB-SI-AWB-02

**IMPORTANT:** Since each construction project is unique, the appropriate selection and use of any product contained herein must be determined by competent architects, engineers and other appropriate professionals who are familiar with the specific requirements of the project in question. This drawing and/or data sheet is the confidential and proprietary information of Hohmann & Barnard, Inc. and is not to be reproduced, copied or disclosed, in whole or in part, without the prior written consent of H&B.



# PENETRATIONS – METHOD A: ENVIRO-BARRIER LIQUID-FLASH SILICONE

## ENVIRO-BARRIER™ SILICONE AIR AND WATER-RESISTIVE BARRIER SYSTEM

### INSTALLATION NOTES

#### NOTES:

#### OPTION 1 (ENVIRO-BARRIER SILICONE AWB Coating First)

- Apply a continuous application of ENVIRO-BARRIER SILICONE AWB over entire face of sheathing and around perimeter of penetration.
- Allow ENVIRO-BARRIER SILICONE AWB to cure sufficiently prior to sealing the penetration with ENVIRO-BARRIER LIQUID-FLASH SILICONE.
- Use backer rod or polyurethane spray foam where necessary. (Trim foam flush prior to detailing.)

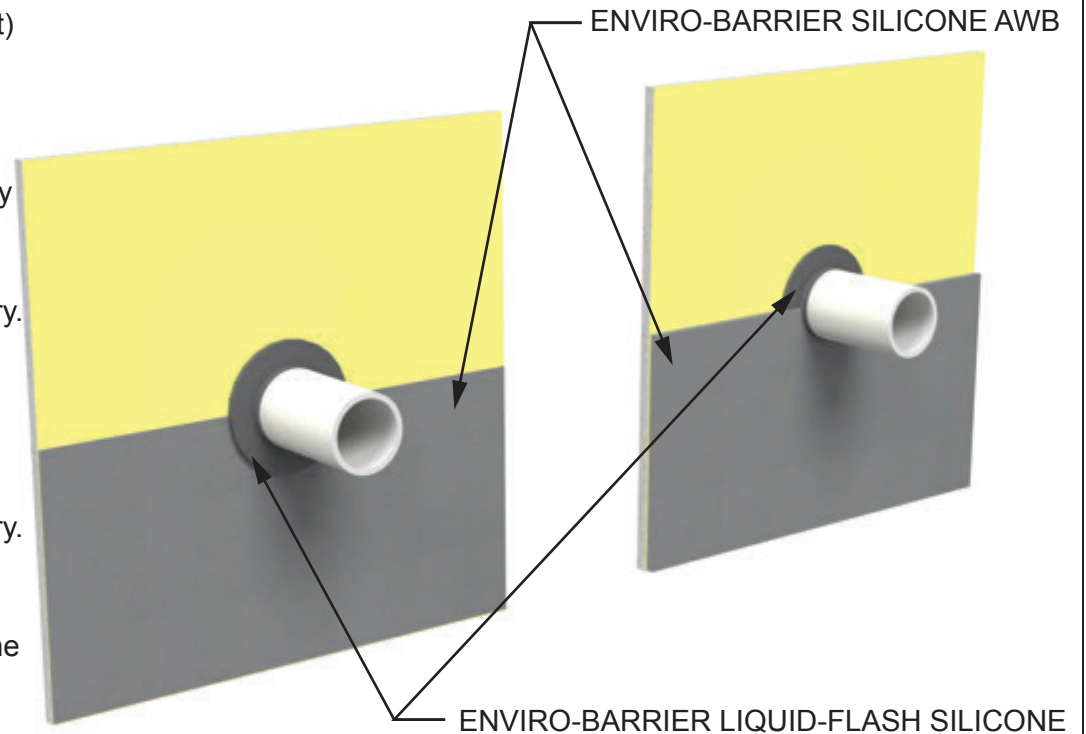
#### OPTION 2 (LIQUID-FLASH SILICONE Sealant First)

- Seal perimeter of penetration with ENVIRO-BARRIER LIQUID-FLASH SILICONE.
- Use backer rod or polyurethane spray foam where necessary. (Trim foam flush prior to detailing.)
- Apply a continuous application of ENVIRO-BARRIER SILICONE AWB over entire face of sheathing overlapping the sealant bead at the penetration perimeter.

#### NOTES:

- Confirm areas at penetration are dry, clean, and free of any dirt, debris, or contaminants.
- Penetrations may be treated before or after the application of ENVIRO-BARRIER SILICONE AWB.
- See ENVIRO-BARRIER SILICONE AWB data sheet for a list of additional acceptable sealants/liquid flashing products.

IMAGE FOR ILLUSTRATIVE PURPOSES ONLY  
NOT TO SCALE



OPTION 1: AWB COATING FIRST

OPTION 2: SEALANT FIRST

**HOHMANN & BARNARD, Inc.**

30 Rasons Court | Hauppauge, NY 11788

T: 800.645.0616 F: 631.234.0683 [www.h-b.com](http://www.h-b.com)

DATE: 05/01/2021

DETAIL: EB-SI-AWB-03

**IMPORTANT:** Since each construction project is unique, the appropriate selection and use of any product contained herein must be determined by competent architects, engineers and other appropriate professionals who are familiar with the specific requirements of the project in question. This drawing and/or data sheet is the confidential and proprietary information of Hohmann & Barnard, Inc. and is not to be reproduced, copied or disclosed, in whole or in part, without the prior written consent of H&B.

## PENETRATIONS – METHOD B: EB REINFORCING FABRIC

### ENVIRO-BARRIER™ SILICONE AIR AND WATER-RESISTIVE BARRIER SYSTEM

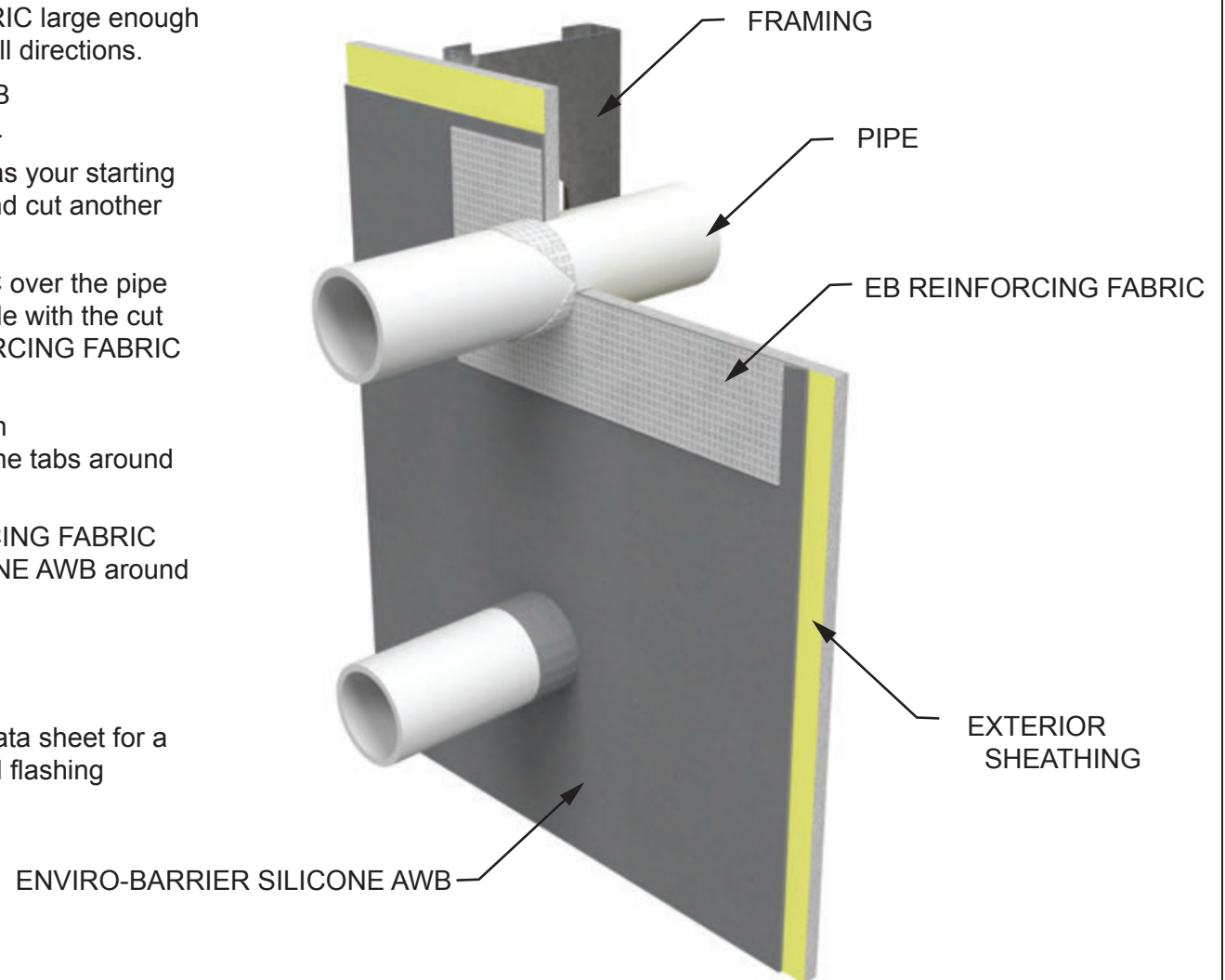
#### INSTALLATION NOTES

1. Cut a square of EB REINFORCING FABRIC large enough to extend past the pipe by 2" (50 mm) in all directions.
2. At the center of the square piece of the EB REINFORCING FABRIC, cut a small hole.
3. Cut an "X" using the small hole in step 2 as your starting point, then rotate the square 45 degrees and cut another "X."
4. Apply the cut EB REINFORCING FABRIC over the pipe with a minimum of 2" (50 mm) on each side with the cut tabs pointed outward. Press EB REINFORCING FABRIC flush with the sheathing, refer to Figure 1.
5. Embed the EB REINFORCING FABRIC in ENVIRO-BARRIER SILICONE and coat the tabs around the pipe.
6. Wrap a 1" (25mm) strip of EB REINFORCING FABRIC embedded in ENVIRO-BARRIER SILICONE AWB around the tabs, see Figure 2.

#### NOTES:

See ENVIRO-BARRIER SILICONE AWB data sheet for a list of additional acceptable sealants/liquid flashing products.

IMAGE FOR ILLUSTRATIVE PURPOSES ONLY  
NOT TO SCALE





# WINDOW FLANGE TREATMENT

## ENVIRO-BARRIER™ SILICONE AIR AND WATER-RESISTIVE BARRIER SYSTEM

### INSTALLATION NOTES

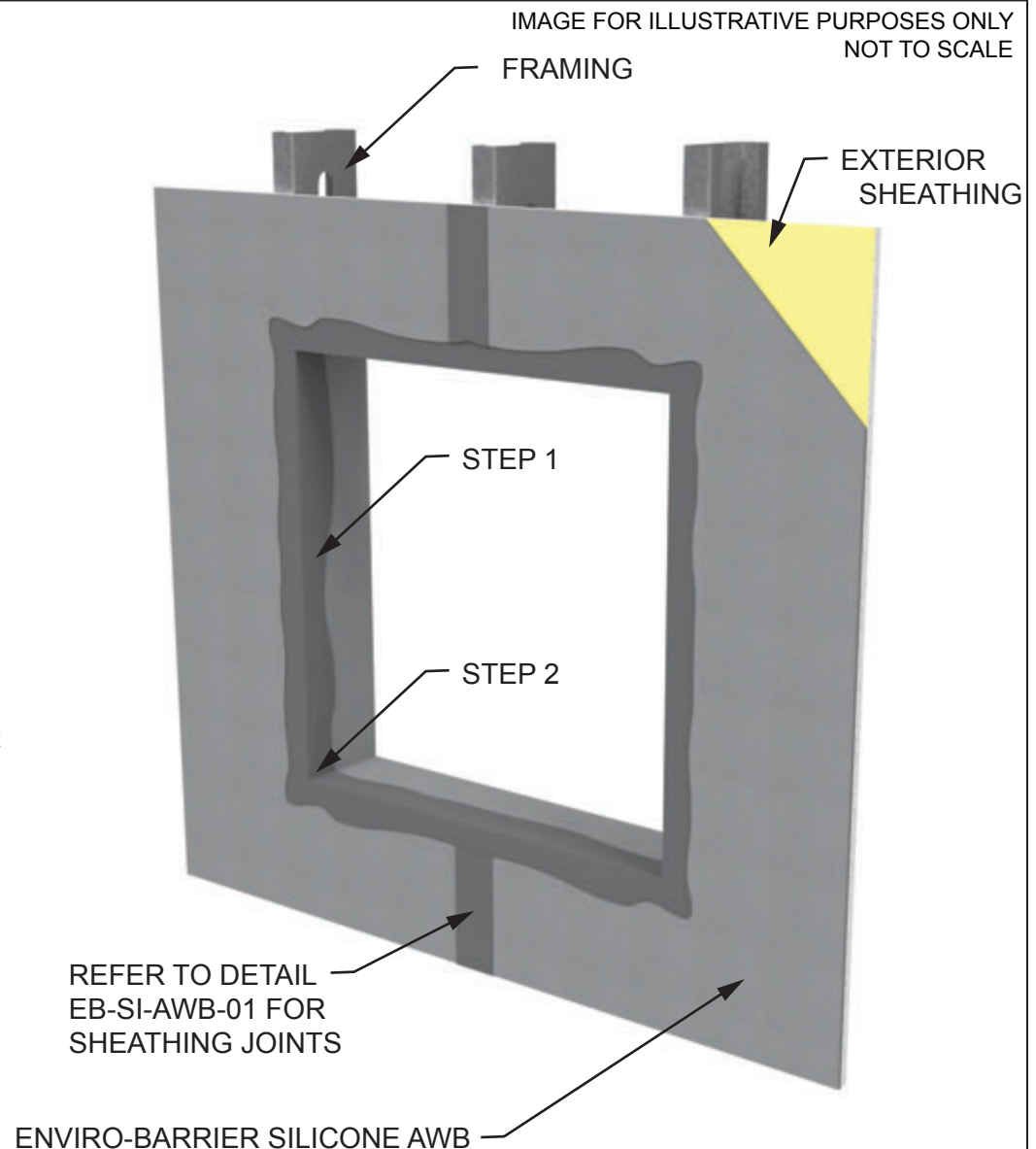
1. Apply ENVIRO-BARRIER LIQUID-FLASH SILICONE to the rough opening at a nominal thickness of 25-40 mils. Spread uncured ENVIRO-BARRIER LIQUID-FLASH SILICONE to cover the inside of the rough opening and extend a minimum of 3" (100mm) over the surface of the exterior wall). LIQUID-FLASH should be continuous and smooth while free of pockets, voids, and/or pinholes.
2. Apply/tool ENVIRO-BARRIER LIQUID-FLASH SILICONE to inside corners of rough opening to ensure seamless coverage.

### NOTES:

- Confirm rough openings are dry, clean, and free of dirt, debris, and contaminants.
- ENVIRO-BARRIER LIQUID-FLASH SILICONE may be installed before or after the application of ENVIRO-BARRIER SILICONE AWB. When installing before, the cut edges of gypsum sheathing may need to be coated with ENVIRO-BARRIER SILICONE AWB. We recommend that is it done prior to application of the barrier.
- ENVIRO-BARRIER SILICONE AWB must be dry to the touch prior to the application of ENVIRO-BARRIER LIQUID-FLASH SILICONE.
- It is recommended to check adhesion of ENVIRO-BARRIER SILICONE products to steel studs prior to use.
- See ENVIRO-BARRIER SILICONE AWB data sheet for a list of additional acceptable sealants/liquid flashing products.

**HOHMANN & BARNARD, Inc.**  
30 Rasons Court | Hauppauge, NY 11788  
T: 800.645.0616 F: 631.234.0683 [www.h-b.com](http://www.h-b.com)

DATE: 05/01/2021  
DETAIL: EB-SI-AWB-05



**IMPORTANT:** Since each construction project is unique, the appropriate selection and use of any product contained herein must be determined by competent architects, engineers and other appropriate professionals who are familiar with the specific requirements of the project in question. This drawing and/or data sheet is the confidential and proprietary information of Hohmann & Barnard, Inc. and is not to be reproduced, copied or disclosed, in whole or in part, without the prior written consent of H&B.

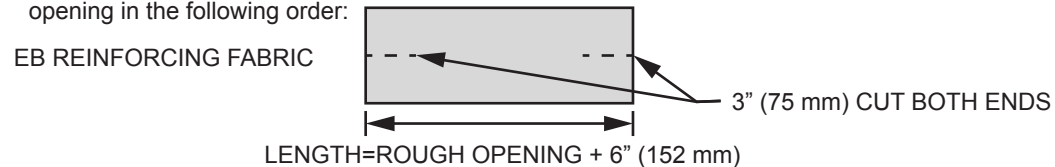
# ROUGH OPENING - METHOD B: EB REINFORCING FABRIC

## ENVIRO-BARRIER™ SILICONE AIR AND WATER-RESISTIVE BARRIER SYSTEM

IMAGE FOR ILLUSTRATIVE PURPOSES ONLY  
NOT TO SCALE

### INSTALLATION NOTES

1. Apply ENVIRO-BARRIER LIQUID-FLASH SILICONE to all visible gaps, framing corners, and non-flush sheathing/framing transitions in the rough opening.
2. Cut a minimum 6" (152 mm) EB REINFORCING FABRIC to appropriate length and shape. Apply liberal first coat (min. 10 mils) of ENVIRO-BARRIER SILICONE sufficient to saturate EB REINFORCING FABRIC and extend at least 1" (25 mm) beyond the width of the EB REINFORCING FABRIC. Place EB REINFORCING FABRIC in applied ENVIRO-BARRIER SILICONE and embed by applying a second coat (min. 10 mils) of ENVIRO-BARRIER SILICONE by roller confirming a pinhole free application is achieved. EB REINFORCING FABRIC must extend a minimum of 3" (75 mm) onto wall and 3" (75 mm) into rough opening in the following order:



- 2a. SILL: Apply EB REINFORCING FABRIC to the sill area properly embedded in ENVIRO-BARRIER SILICONE and centered over change of plane. Fold the cut segments up inside the corners.
- 2b. JAMB: Apply EB REINFORCING FABRIC to the jamb areas properly embedded in ENVIRO-BARRIER SILICONE and centered over change of plane. Overlap the EB REINFORCING FABRIC in the bottom corners.
- 2c. HEADER: Apply EB REINFORCING FABRIC to the header properly embedded in ENVIRO-BARRIER SILICONE and centered over change of plane. Overlap the EB REINFORCING FABRIC in the top corner.

### NOTES:

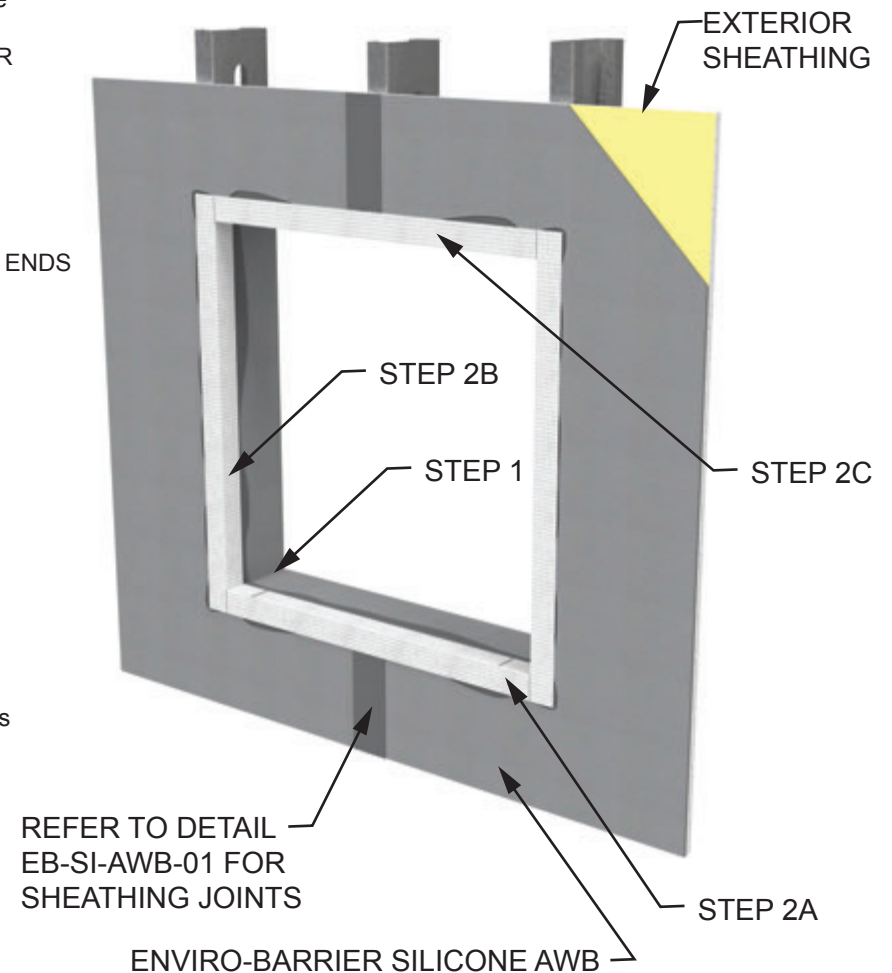
- Confirm rough openings are dry, clean, and free of dirt, debris, and contaminants.
- Rough opening may be treated before or after the application of ENVIRO-BARRIER SILICONE over wall areas. An additional coat of ENVIRO-BARRIER SILICONE over areas with EB REINFORCING FABRIC may be required to guarantee a pinhole free application.
- Apply ENVIRO-BARRIER LIQUID-FLASH SILICONE or ENVIRO-BARRIER SILICONE to corners as needed to ensure seamless coverage.
- EB REINFORCING FABRIC should be installed in manageable segments, confirm EB REINFORCING FABRIC overlaps by a minimum 3".
- It is recommended to check adhesion of ENVIRO-BARRIER SILICONE products to steel studs prior to use.
- See ENVIRO-BARRIER SILICONE AWB data sheet for a list of additional acceptable sealants/liquid flashing products.

**HOHMANN & BARNARD, Inc.**  
30 Rasons Court | Hauppauge, NY 11788

T: 800.645.0616 F: 631.234.0683 [www.h-b.com](http://www.h-b.com)

DATE: 05/01/2021

DETAIL: EB-SI-AWB-06



**IMPORTANT:** Since each construction project is unique, the appropriate selection and use of any product contained herein must be determined by competent architects, engineers and other appropriate professionals who are familiar with the specific requirements of the project in question. This drawing and/or data sheet is the confidential and proprietary information of Hohmann & Barnard, Inc. and is not to be reproduced, copied or disclosed, in whole or in part, without the prior written consent of H&B.



HOHMANN & BARNARD, INC.

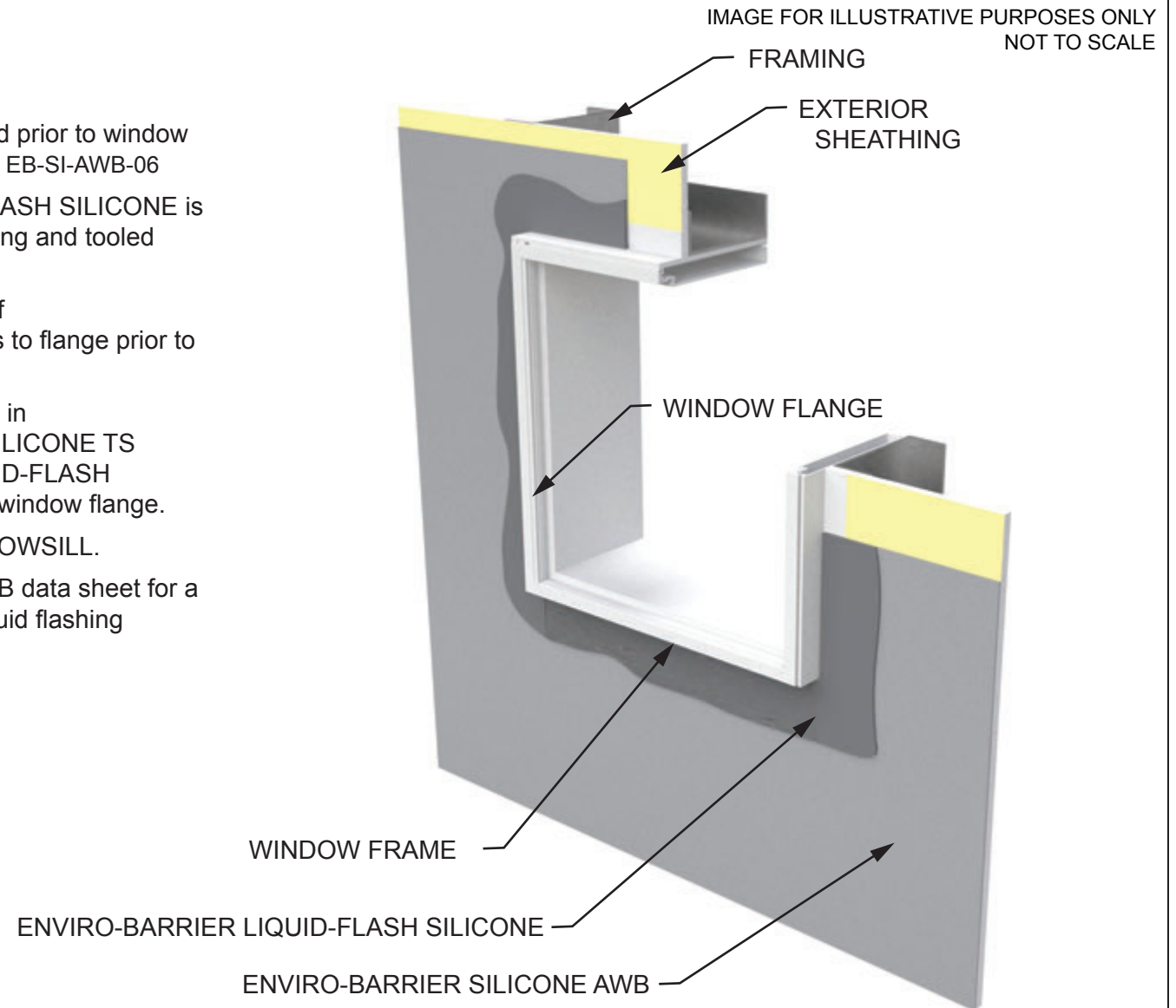
## WINDOW FLANGE TREATMENT

### ENVIRO-BARRIER™ SILICONE AIR AND WATER-RESISTIVE BARRIER SYSTEM

#### INSTALLATION NOTES

##### NOTES:

- Rough opening must be properly treated prior to window installation. see detail EB-SI-AWB-05 OR EB-SI-AWB-06
- Confirm ENVIRO-BARRIER LIQUID-FLASH SILICONE is applied at a minimum of 3" onto sheathing and tooled smooth at proper thickness.
- It is recommended to check adhesion of ENVIRO-BARRIER SILICONE products to flange prior to use.
- EB REINFORCING FABRIC embedded in ENVIRO-BARRIER SILICONE or EB SILICONE TS embedded in ENVIRO-BARRIER LIQUID-FLASH SILICONE may also be utilized to treat window flange.
- DO NOT BLOCK DRAINAGE AT WINDOWSILL.
- See ENVIRO-BARRIER SILICONE AWB data sheet for a list of additional acceptable sealants/liquid flashing products.



**HOHMANN & BARNARD, Inc.**

30 Rasons Court | Hauppauge, NY 11788

T: 800.645.0616 F: 631.234.0683 [www.h-b.com](http://www.h-b.com)

DATE: 05/01/2021

DETAIL: EB-SI-AWB-07

**IMPORTANT:** Since each construction project is unique, the appropriate selection and use of any product contained herein must be determined by competent architects, engineers and other appropriate professionals who are familiar with the specific requirements of the project in question. This drawing and/or data sheet is the confidential and proprietary information of Hohmann & Barnard, Inc. and is not to be reproduced, copied or disclosed, in whole or in part, without the prior written consent of H&B.



# WINDOW HEAD

## ENVIRO-BARRIER™ SILICONE AIR AND WATER-RESISTIVE BARRIER SYSTEM

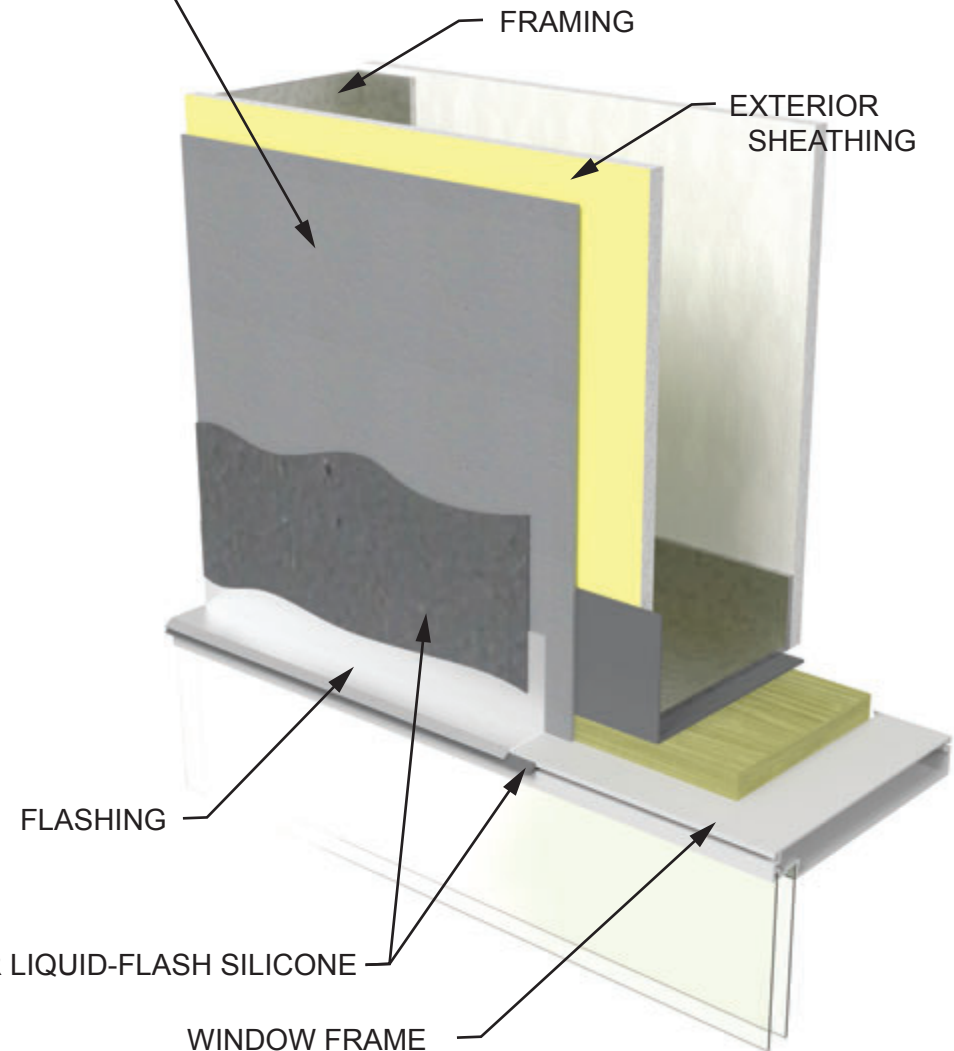
### INSTALLATION NOTES

#### NOTES:

- Confirm ENVIRO-BARRIER LIQUID-FLASH SILICONE is applied a minimum of 3" (75 mm) into rough opening and onto sheathing. The cut edge of gypsum sheathing may need to be coated with ENVIRO-BARRIER SILICONE prior to application of ENVIRO-BARRIER LIQUID-FLASH SILICONE.
- Confirm ENVIRO-BARRIER LIQUID-FLASH SILICONE is applied at a minimum of 3" onto sheathing at flashing interface.
- Apply EB SILICONE TS set in ENVIRO-BARRIER LIQUID-FLASH SILICONE over punched stud openings.
- It is recommended to check adhesion of ENVIRO-BARRIER SILICONE products to flange prior to use.
- EB REINFORCING FABRIC embedded in ENVIRO-BARRIER SILICONE or EB SILICONE TS embedded in ENVIRO-BARRIER LIQUID-FLASH SILICONE may also be utilized to wrap opening.
- Refer to EB-SI-AWB-05 OR EB-SI-AWB-06 for rough opening treatment details
- See ENVIRO-BARRIER SILICONE AWB data sheet for a list of additional acceptable sealants/liquid flashing products.

ENVIRO-BARRIER SILICONE AWB

IMAGE FOR ILLUSTRATIVE PURPOSES ONLY  
NOT TO SCALE



**HOHMANN & BARNARD, Inc.**

30 Rasons Court | Hauppauge, NY 11788

T: 800.645.0616 F: 631.234.0683 [www.h-b.com](http://www.h-b.com)

DATE: 05/01/2021

DETAIL: EB-SI-AWB-08

**IMPORTANT:** Since each construction project is unique, the appropriate selection and use of any product contained herein must be determined by competent architects, engineers and other appropriate professionals who are familiar with the specific requirements of the project in question. This drawing and/or data sheet is the confidential and proprietary information of Hohmann & Barnard, Inc. and is not to be reproduced, copied or disclosed, in whole or in part, without the prior written consent of H&B.





# WINDOW JAMB

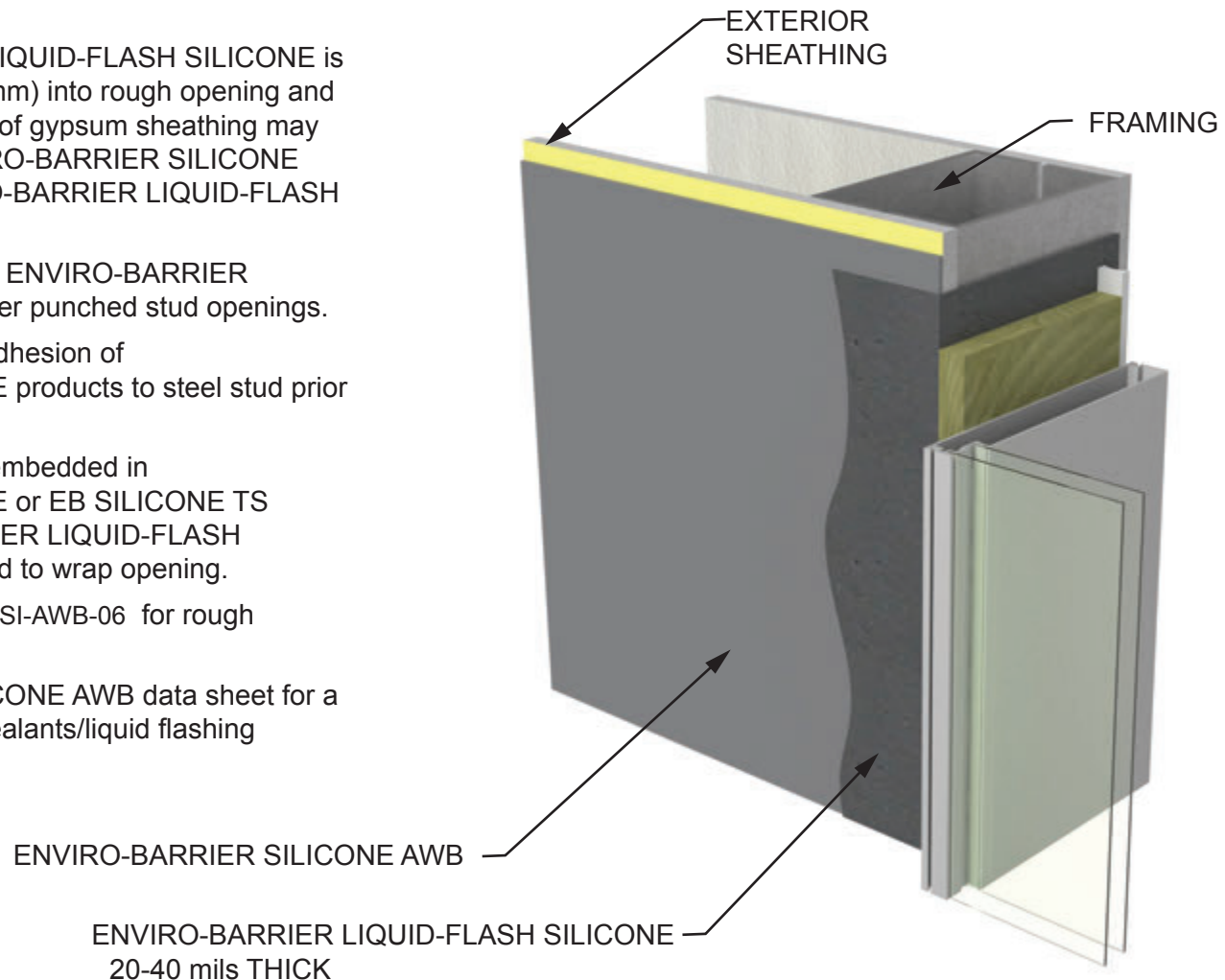
## ENVIRO-BARRIER™ SILICONE AIR AND WATER-RESISTIVE BARRIER SYSTEM

### INSTALLATION NOTES

#### NOTES:

- Confirm ENVIRO-BARRIER LIQUID-FLASH SILICONE is applied a minimum of 3" (75 mm) into rough opening and onto sheathing. The cut edge of gypsum sheathing may need to be coated with ENVIRO-BARRIER SILICONE prior to application of ENVIRO-BARRIER LIQUID-FLASH SILICONE.
- Apply EB SILICONE TS set in ENVIRO-BARRIER LIQUID-FLASH SILICONE over punched stud openings.
- It is recommended to check adhesion of ENVIRO-BARRIER SILICONE products to steel stud prior to use.
- EB REINFORCING FABRIC embedded in ENVIRO-BARRIER SILICONE or EB SILICONE TS embedded in ENVIRO-BARRIER LIQUID-FLASH SILICONE may also be utilized to wrap opening.
- Refer to EB-SI-AWB-05 OR EB-SI-AWB-06 for rough opening treatment details
- See ENVIRO-BARRIER SILICONE AWB data sheet for a list of additional acceptable sealants/liquid flashing products.

IMAGE FOR ILLUSTRATIVE PURPOSES ONLY  
NOT TO SCALE



**HOHMANN & BARNARD, Inc.**

30 Rasons Court | Hauppauge, NY 11788

T: 800.645.0616 F: 631.234.0683 [www.h-b.com](http://www.h-b.com)

DATE: 05/01/2021

DETAIL: EB-SI-AWB-09

**IMPORTANT:** Since each construction project is unique, the appropriate selection and use of any product contained herein must be determined by competent architects, engineers and other appropriate professionals who are familiar with the specific requirements of the project in question. This drawing and/or data sheet is the confidential and proprietary information of Hohmann & Barnard, Inc. and is not to be reproduced, copied or disclosed, in whole or in part, without the prior written consent of H&B.



# WINDOW HEAD – THROUGH WALL FLASHING

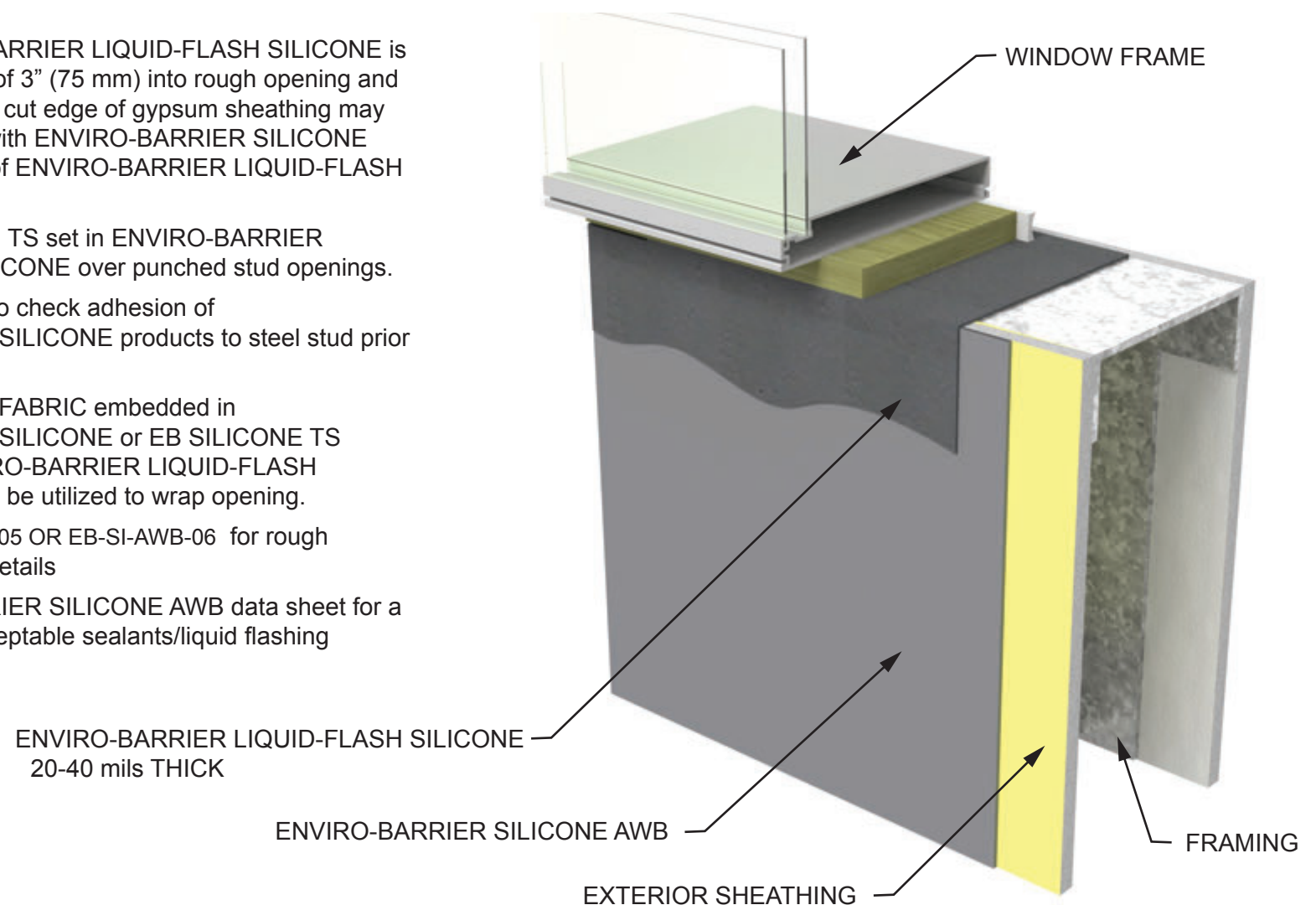
## ENVIRO-BARRIER™ SILICONE AIR AND WATER-RESISTIVE BARRIER SYSTEM

### INSTALLATION NOTES

#### NOTES:

- Confirm ENVIRO-BARRIER LIQUID-FLASH SILICONE is applied a minimum of 3" (75 mm) into rough opening and onto sheathing. The cut edge of gypsum sheathing may need to be coated with ENVIRO-BARRIER SILICONE prior to application of ENVIRO-BARRIER LIQUID-FLASH SILICONE.
- Apply EB SILICONE TS set in ENVIRO-BARRIER LIQUID-FLASH SILICONE over punched stud openings.
- It is recommended to check adhesion of ENVIRO-BARRIER SILICONE products to steel stud prior to use.
- EB REINFORCING FABRIC embedded in ENVIRO-BARRIER SILICONE or EB SILICONE TS embedded in ENVIRO-BARRIER LIQUID-FLASH SILICONE may also be utilized to wrap opening.
- Refer to EB-SI-AWB-05 OR EB-SI-AWB-06 for rough opening treatment details
- See ENVIRO-BARRIER SILICONE AWB data sheet for a list of additional acceptable sealants/liquid flashing products.

IMAGE FOR ILLUSTRATIVE PURPOSES ONLY  
NOT TO SCALE



**HOHMANN & BARNARD, Inc.**

30 Rasons Court | Hauppauge, NY 11788

T: 800.645.0616 F: 631.234.0683 [www.h-b.com](http://www.h-b.com)

DATE: 05/01/2021

DETAIL: EB-SI-AWB-10

**IMPORTANT:** Since each construction project is unique, the appropriate selection and use of any product contained herein must be determined by competent architects, engineers and other appropriate professionals who are familiar with the specific requirements of the project in question. This drawing and/or data sheet is the confidential and proprietary information of Hohmann & Barnard, Inc. and is not to be reproduced, copied or disclosed, in whole or in part, without the prior written consent of H&B.



HOHMANN & BARNARD, INC.

# WINDOW HEAD – THROUGH WALL FLASHING

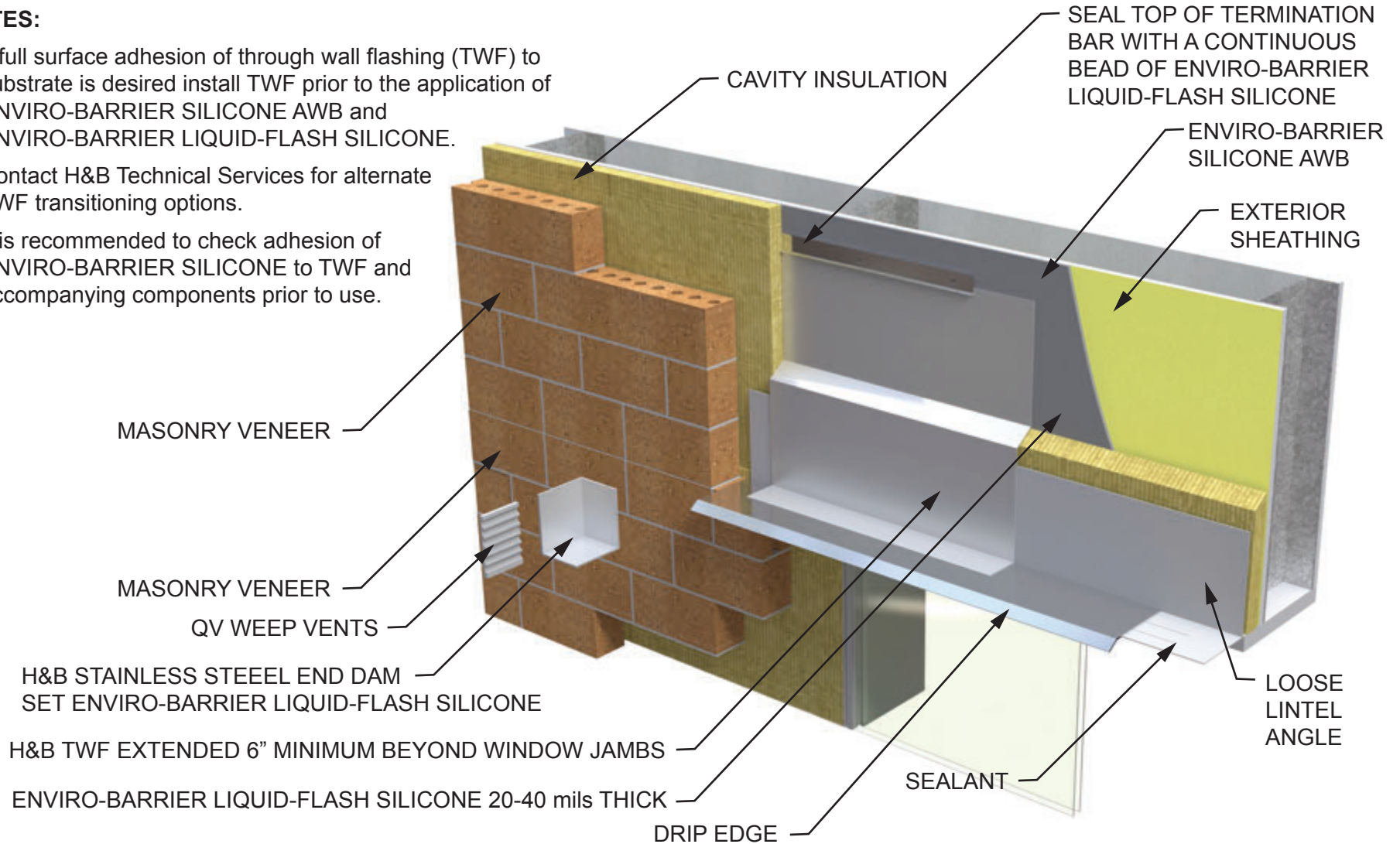
## ENVIRO-BARRIER™ SILICONE AIR AND WATER-RESISTIVE BARRIER SYSTEM

### INSTALLATION NOTES

#### NOTES:

- If full surface adhesion of through wall flashing (TWF) to substrate is desired install TWF prior to the application of ENVIRO-BARRIER SILICONE AWB and ENVIRO-BARRIER LIQUID-FLASH SILICONE.
- Contact H&B Technical Services for alternate TWF transitioning options.
- It is recommended to check adhesion of ENVIRO-BARRIER SILICONE to TWF and accompanying components prior to use.

IMAGE FOR ILLUSTRATIVE PURPOSES ONLY  
NOT TO SCALE



**HOHMANN & BARNARD, Inc.**

30 Rasons Court | Hauppauge, NY 11788

T: 800.645.0616 F: 631.234.0683 [www.h-b.com](http://www.h-b.com)

DATE: 05/01/2021

DETAIL: EB-SI-AWB-11

**IMPORTANT:** Since each construction project is unique, the appropriate selection and use of any product contained herein must be determined by competent architects, engineers and other appropriate professionals who are familiar with the specific requirements of the project in question. This drawing and/or data sheet is the confidential and proprietary information of Hohmann & Barnard, Inc. and is not to be reproduced, copied or disclosed, in whole or in part, without the prior written consent of H&B.



# SHELF ANGLE

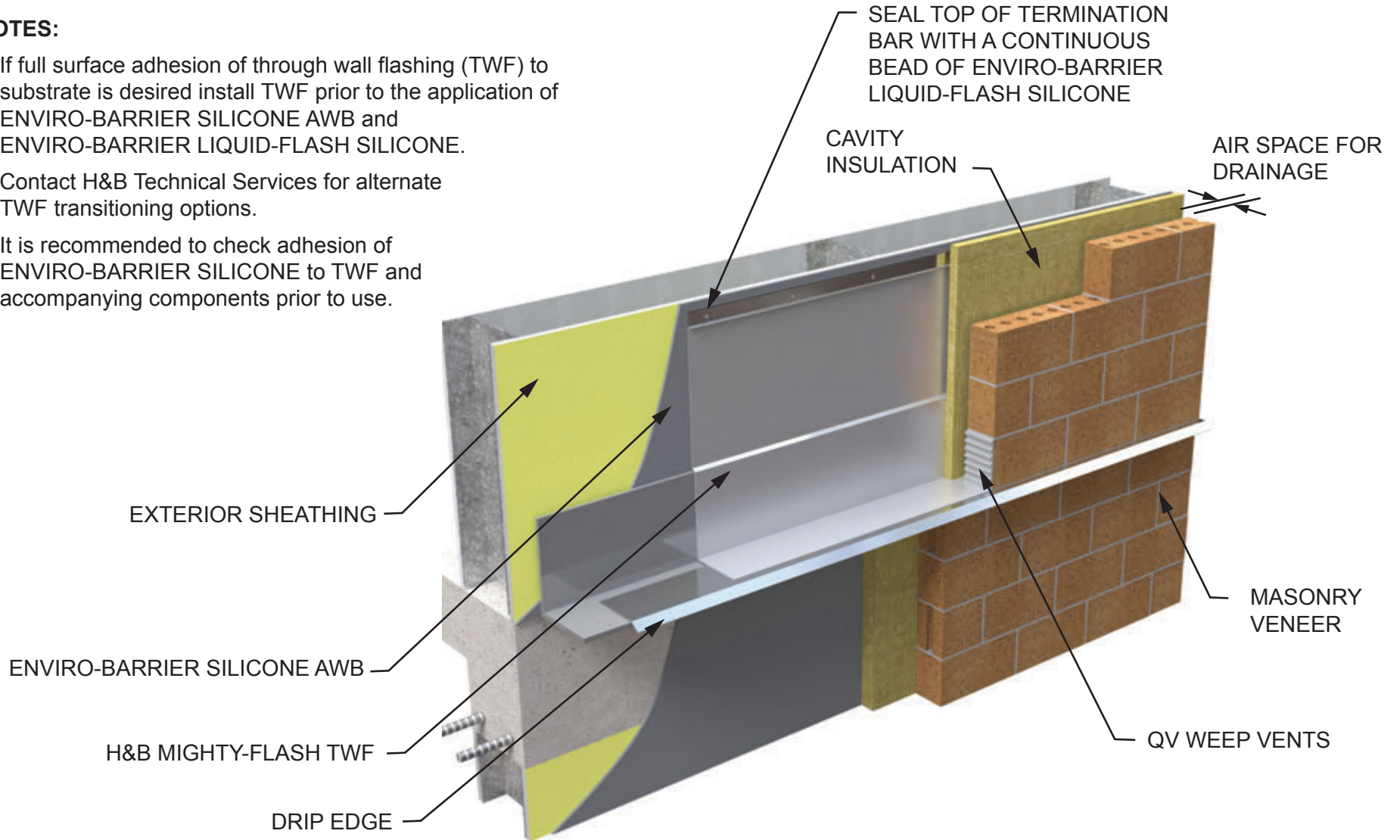
## ENVIRO-BARRIER™ SILICONE AIR AND WATER-RESISTIVE BARRIER SYSTEM

### INSTALLATION NOTES

#### NOTES:

- If full surface adhesion of through wall flashing (TWF) to substrate is desired install TWF prior to the application of ENVIRO-BARRIER SILICONE AWB and ENVIRO-BARRIER LIQUID-FLASH SILICONE.
- Contact H&B Technical Services for alternate TWF transitioning options.
- It is recommended to check adhesion of ENVIRO-BARRIER SILICONE to TWF and accompanying components prior to use.

IMAGE FOR ILLUSTRATIVE PURPOSES ONLY  
NOT TO SCALE



**HOHMANN & BARNARD, Inc.**  
30 Rasons Court | Hauppauge, NY 11788  
T: 800.645.0616 F: 631.234.0683 [www.h-b.com](http://www.h-b.com)

DATE: 05/01/2021  
DETAIL: EB-SI-AWB-12

**IMPORTANT:** Since each construction project is unique, the appropriate selection and use of any product contained herein must be determined by competent architects, engineers and other appropriate professionals who are familiar with the specific requirements of the project in question. This drawing and/or data sheet is the confidential and proprietary information of Hohmann & Barnard, Inc. and is not to be reproduced, copied or disclosed, in whole or in part, without the prior written consent of H&B.



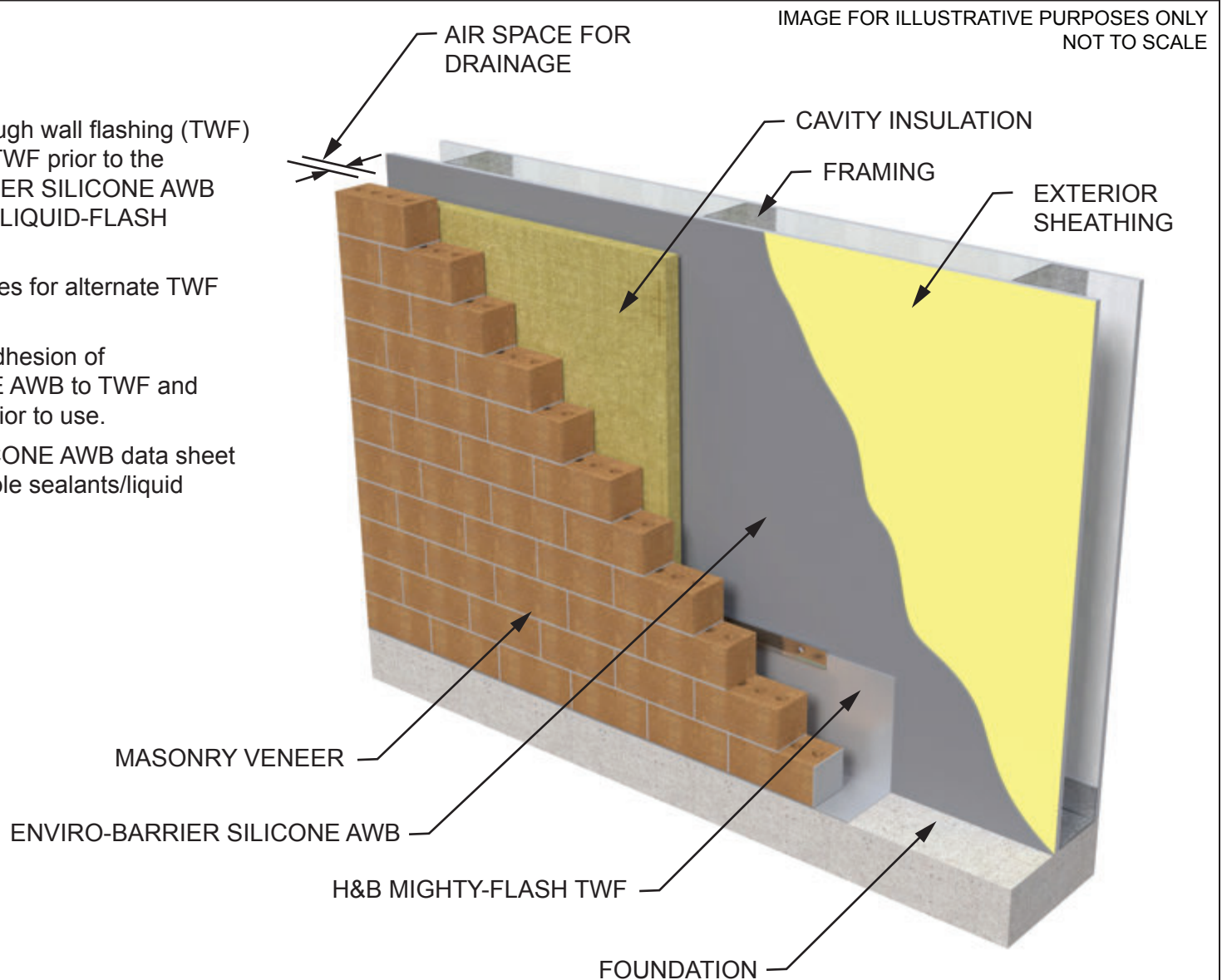
# TERMINATION AT GRADE – THROUGH WALL FLASHING AT BASE

## ENVIRO-BARRIER™ SILICONE AIR AND WATER-RESISTIVE BARRIER SYSTEM

### INSTALLATION NOTES

#### NOTES:

- If full surface adhesion of through wall flashing (TWF) to substrate is desired install TWF prior to the application of ENVIRO-BARRIER SILICONE AWB AWB and ENVIRO-BARRIER LIQUID-FLASH SILICONE.
- Contact H&B Technical Services for alternate TWF transitioning options.
- It is recommended to check adhesion of ENVIRO-BARRIER SILICONE AWB to TWF and accompanying components prior to use.
- See ENVIRO-BARRIER SILICONE AWB data sheet for a list of additional acceptable sealants/liquid flashing and TWF products.



**HOHMANN & BARNARD, Inc.**

30 Rasons Court | Hauppauge, NY 11788

T: 800.645.0616 F: 631.234.0683 [www.h-b.com](http://www.h-b.com)

DATE: 05/01/2021

DETAIL: EB-SI-AWB-13

**IMPORTANT:** Since each construction project is unique, the appropriate selection and use of any product contained herein must be determined by competent architects, engineers and other appropriate professionals who are familiar with the specific requirements of the project in question. This drawing and/or data sheet is the confidential and proprietary information of Hohmann & Barnard, Inc. and is not to be reproduced, copied or disclosed, in whole or in part, without the prior written consent of H&B.



# INSIDE/OUTSIDE CORNERS – METHOD A: ENVIRO-BARRIER LIQUID-FLASH SILICONE

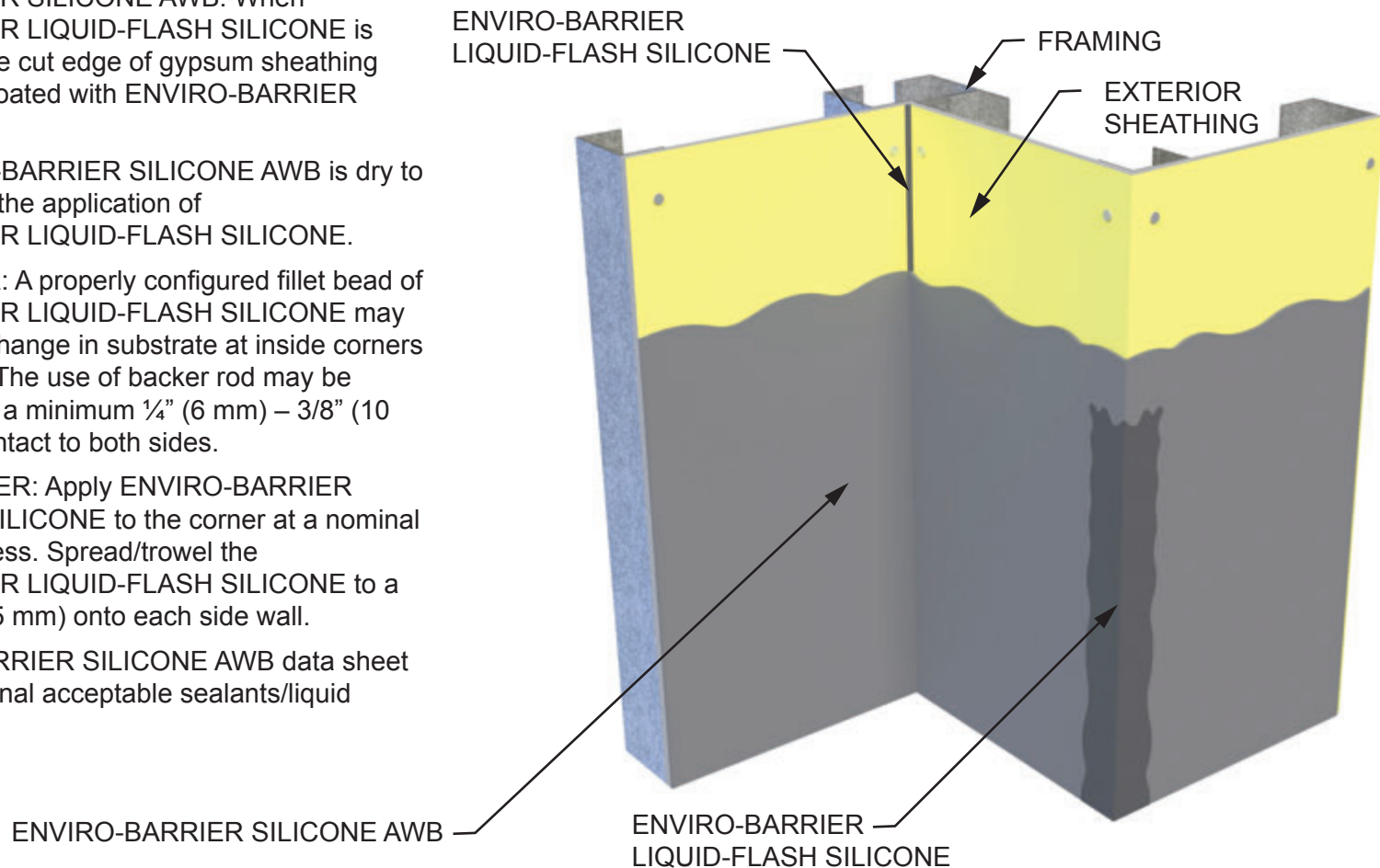
## ENVIRO-BARRIER™ SILICONE AIR AND WATER-RESISTIVE BARRIER SYSTEM

### INSTALLATION NOTES

IMAGE FOR ILLUSTRATIVE PURPOSES ONLY  
NOT TO SCALE

#### NOTES:

- ENVIRO-BARRIER LIQUID-FLASH SILICONE can be installed prior to or after the application of ENVIRO-BARRIER SILICONE AWB. When ENVIRO-BARRIER LIQUID-FLASH SILICONE is applied before, the cut edge of gypsum sheathing may need to be coated with ENVIRO-BARRIER SILICONE AWB.
- Confirm ENVIRO-BARRIER SILICONE AWB is dry to the touch prior to the application of ENVIRO-BARRIER LIQUID-FLASH SILICONE.
- **INSIDE CORNER:** A properly configured fillet bead of ENVIRO-BARRIER LIQUID-FLASH SILICONE may be used to treat change in substrate at inside corners with gaps < 3/8". The use of backer rod may be required. Confirm a minimum 1/4" (6 mm) – 3/8" (10 mm) adhesive contact to both sides.
- **OUTSIDE CORNER:** Apply ENVIRO-BARRIER LIQUID-FLASH SILICONE to the corner at a nominal 25-40 mils thickness. Spread/trowel the ENVIRO-BARRIER LIQUID-FLASH SILICONE to a minimum of 3" (75 mm) onto each side wall.
- See ENVIRO-BARRIER SILICONE AWB data sheet for a list of additional acceptable sealants/liquid flashing products.



**HOHMANN & BARNARD, Inc.**  
30 Rasons Court | Hauppauge, NY 11788

T: 800.645.0616 F: 631.234.0683 [www.h-b.com](http://www.h-b.com)

DATE: 05/01/2021

DETAIL: EB-SI-AWB-14

**IMPORTANT:** Since each construction project is unique, the appropriate selection and use of any product contained herein must be determined by competent architects, engineers and other appropriate professionals who are familiar with the specific requirements of the project in question. This drawing and/or data sheet is the confidential and proprietary information of Hohmann & Barnard, Inc. and is not to be reproduced, copied or disclosed, in whole or in part, without the prior written consent of H&B.



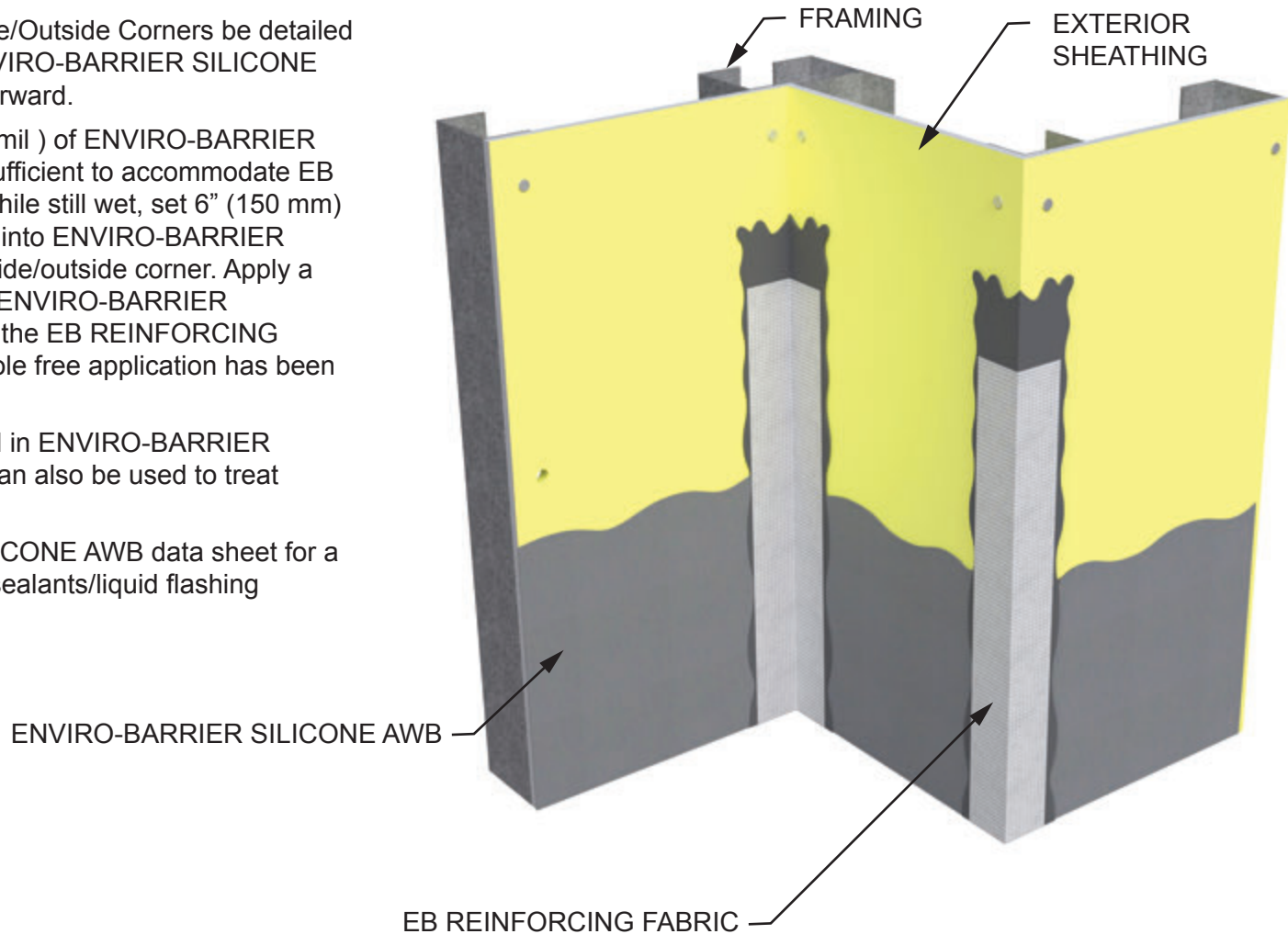
# INSIDE/OUTSIDE CORNERS – METHOD B: EB REINFORCING FABRIC ENVIRO-BARRIER™ SILICONE AIR AND WATER-RESISTIVE BARRIER SYSTEM

## INSTALLATION NOTES

### NOTES:

- It is recommended that Inside/Outside Corners be detailed before the application of ENVIRO-BARRIER SILICONE AWB, but it can be done afterward.
- Apply a liberal coat (min. 10 mil ) of ENVIRO-BARRIER SILICONE AWB in a width sufficient to accommodate EB REINFORCING FABRIC. While still wet, set 6" (150 mm) EB REINFORCING FABRIC into ENVIRO-BARRIER SILICONE and center on inside/outside corner. Apply a second coat (min. 10 mil) of ENVIRO-BARRIER SILICONE immediately over the EB REINFORCING FABRIC, confirm that a pinhole free application has been achieved.
- EB SILICONE TS embedded in ENVIRO-BARRIER LIQUID-FLASH SILICONE can also be used to treat inside/outside corners.
- See ENVIRO-BARRIER SILICONE AWB data sheet for a list of additional acceptable sealants/liquid flashing products.

IMAGE FOR ILLUSTRATIVE PURPOSES ONLY  
NOT TO SCALE



**HOHMANN & BARNARD, Inc.**

30 Rasons Court | Hauppauge, NY 11788

T: 800.645.0616 F: 631.234.0683 [www.h-b.com](http://www.h-b.com)

DATE: 05/01/2021

DETAIL: EB-SI-AWB-15

**IMPORTANT:** Since each construction project is unique, the appropriate selection and use of any product contained herein must be determined by competent architects, engineers and other appropriate professionals who are familiar with the specific requirements of the project in question. This drawing and/or data sheet is the confidential and proprietary information of Hohmann & Barnard, Inc. and is not to be reproduced, copied or disclosed, in whole or in part, without the prior written consent of H&B.



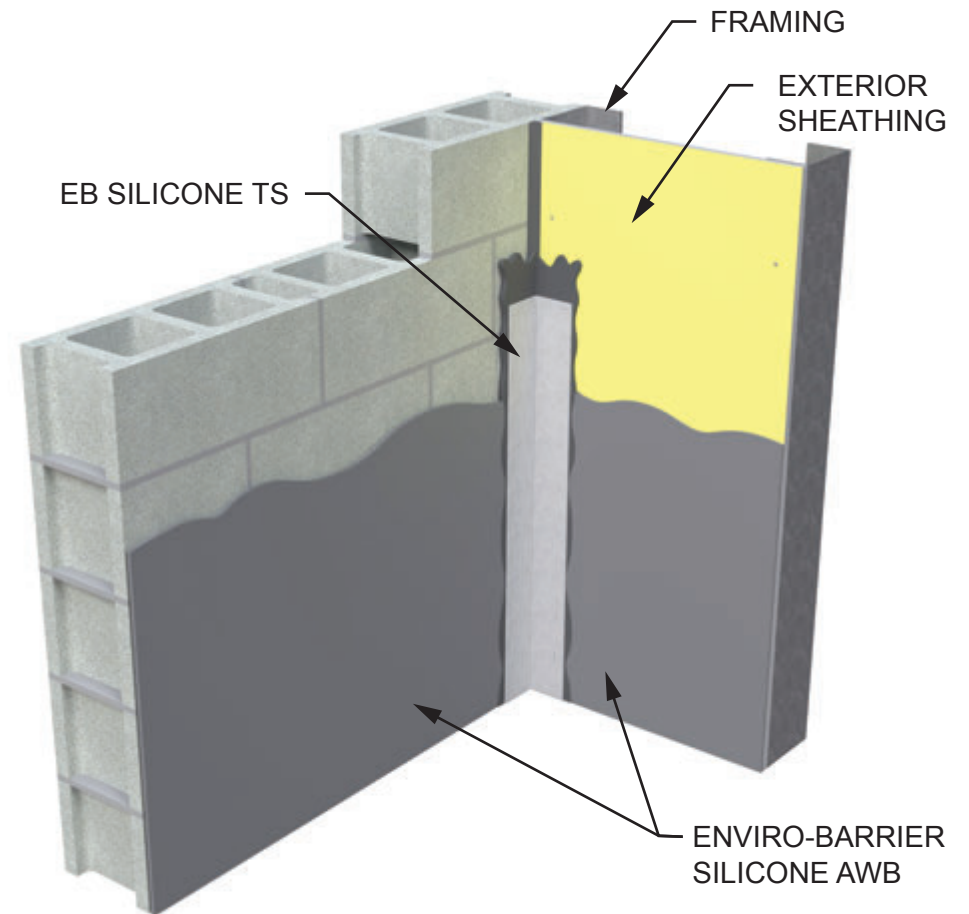
## CHANGE IN SUBSTRATE ENVIRO-BARRIER™ SILICONE AIR AND WATER-RESISTIVE BARRIER SYSTEM

### INSTALLATION NOTES

#### NOTES:

- Change in substrate may be detailed before or after the application of ENVIRO-BARRIER SILICONE AWB.
- **METHOD A:** A properly configured fillet bead of ENVIRO-BARRIER LIQUID-FLASH SILICONE may be used to treat changes in substrate at inside corners with gaps < 3/8". The use of backer rod may be required. Ensure a minimum 1/4" (6 mm) – 3/8" (10 mm) adhesive contact to both sides.
- **METHOD B:** Adhere 6" (150 mm) wide EB SILICONE TS at inside corner using ENVIRO-BARRIER LIQUID-FLASH SILICONE as an adhesive, centering EB SILICONE TS over the change in substrate. The edges of EB SILICONE TS must be fully embedded in ENVIRO-BARRIER LIQUID-FLASH SILICONE to ensure a watertight seal.
- See ENVIRO-BARRIER SILICONE AWB data sheet for a list of additional acceptable sealants/liquid flashing products.

IMAGE FOR ILLUSTRATIVE PURPOSES ONLY  
NOT TO SCALE



**HOHMANN & BARNARD, Inc.**

30 Rasons Court | Hauppauge, NY 11788

T: 800.645.0616 F: 631.234.0683 [www.h-b.com](http://www.h-b.com)

DATE: 05/01/2021

DETAIL: EB-SI-AWB-16

**IMPORTANT:** Since each construction project is unique, the appropriate selection and use of any product contained herein must be determined by competent architects, engineers and other appropriate professionals who are familiar with the specific requirements of the project in question. This drawing and/or data sheet is the confidential and proprietary information of Hohmann & Barnard, Inc. and is not to be reproduced, copied or disclosed, in whole or in part, without the prior written consent of H&B.





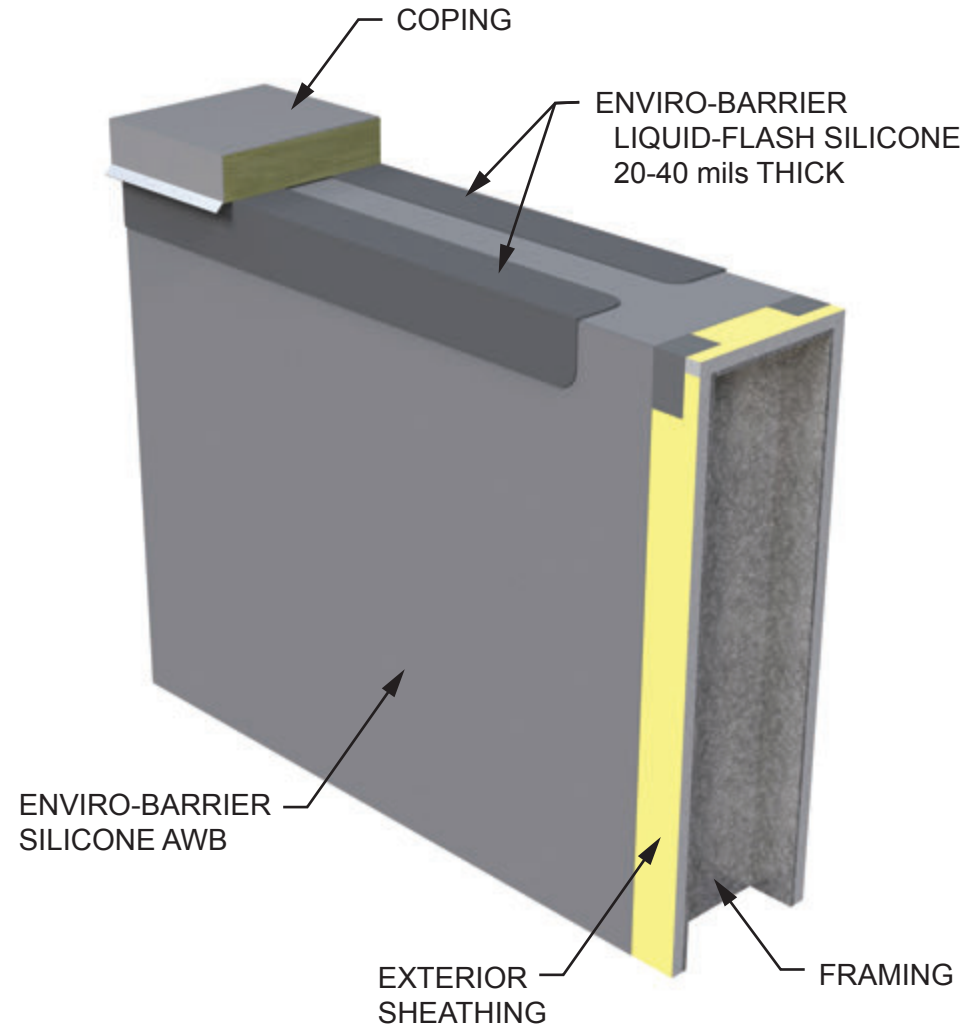
# PARAPET ENVIRO-BARRIER™ SILICONE AIR AND WATER-RESISTIVE BARRIER SYSTEM

## INSTALLATION NOTES

### NOTES:

- Confirm parapet is dry, clean, and free of dirt, debris, and contaminants.
- ENVIRO-BARRIER LIQUID-FLASH SILICONE can be installed before or after the application of ENVIRO-BARRIER SILICONE AWB. When ENVIRO-BARRIER LIQUID-FLASH SILICONE is applied before, the cut edge of gypsum sheathing may need to be coated with ENVIRO-BARRIER SILICONE AWB.
- Confirm ENVIRO-BARRIER SILICONE is dry to the touch prior to the application of ENVIRO-BARRIER LIQUID-FLASH SILICONE.
- Spread/trowel the ENVIRO-BARRIER LIQUID-FLASH SILICONE to a minimum of 3" (75 mm) overlap onto the top and both sides of the parapet. The liquid flashing should be continuous and smooth while free of pockets, voids, and/or pinholes.
- EB REINFORCING FABRIC embedded in ENVIRO-BARRIER SILICONE or EB SILICONE TS embedded in ENVIRO-BARRIER LIQUID-FLASH SILICONE may also be utilized to treat parapets.
- See ENVIRO-BARRIER SILICONE AWB data sheet for a list of additional acceptable sealants/liquid flashing products.

IMAGE FOR ILLUSTRATIVE PURPOSES ONLY  
NOT TO SCALE



**HOHMANN & BARNARD, Inc.**  
30 Rasons Court | Hauppauge, NY 11788  
T: 800.645.0616 F: 631.234.0683 [www.h-b.com](http://www.h-b.com)

DATE: 05/01/2021  
DETAIL: EB-SI-AWB-17

**IMPORTANT:** Since each construction project is unique, the appropriate selection and use of any product contained herein must be determined by competent architects, engineers and other appropriate professionals who are familiar with the specific requirements of the project in question. This drawing and/or data sheet is the confidential and proprietary information of Hohmann & Barnard, Inc. and is not to be reproduced, copied or disclosed, in whole or in part, without the prior written consent of H&B.



# CMU APPLICATION DETAIL

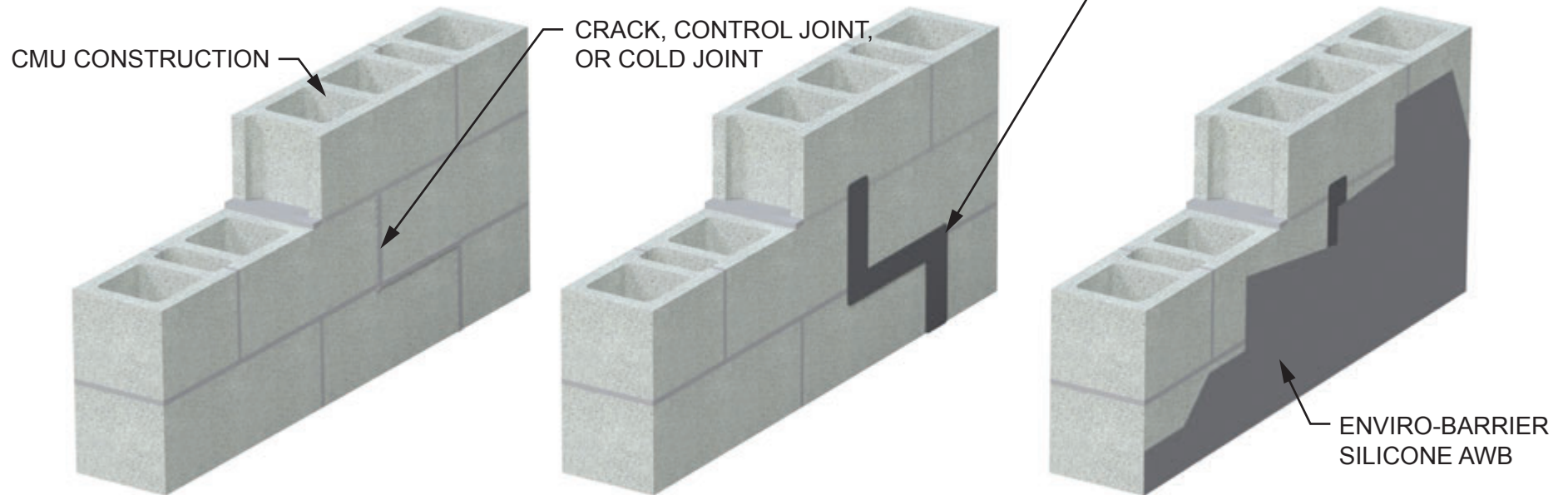
## ENVIRO-BARRIER™ SILICONE AIR AND WATER-RESISTIVE BARRIER SYSTEM

### INSTALLATION NOTES

IMAGE FOR ILLUSTRATIVE PURPOSES ONLY  
NOT TO SCALE

#### NOTES:

- Confirm surfaces are dry, clean, and free of dirt, debris, and contaminants.
- Clean loose mortar and other contaminants where necessary with wire brush or a similar abrasive tool to provide a stable clean surface for application.
- Masonry joints to be full and struck flush.
- Cracks or voids at greater than 1/16" (2 mm) and up to 3/8" shall be filled (routed and filled where necessary) with a trowel application of ENVIRO-BARRIER LIQUID-FLASH SILICONE prior to application of ENVIRO-BARRIER SILICONE AWB. Repair larger cracks or voids with non-shrinking grout or other appropriate patching material.
- When spray applying over CMU, back rolling will be required to ensure a pinhole free application.
- See ENVIRO-BARRIER SILICONE AWB data sheet for a list of additional acceptable sealants/liquid flashing products.



**HOHMANN & BARNARD, Inc.**  
30 Rasons Court | Hauppauge, NY 11788  
T: 800.645.0616 F: 631.234.0683 [www.h-b.com](http://www.h-b.com)

DATE: 05/01/2021  
DETAIL: EB-SI-AWB-18

**IMPORTANT:** Since each construction project is unique, the appropriate selection and use of any product contained herein must be determined by competent architects, engineers and other appropriate professionals who are familiar with the specific requirements of the project in question. This drawing and/or data sheet is the confidential and proprietary information of Hohmann & Barnard, Inc. and is not to be reproduced, copied or disclosed, in whole or in part, without the prior written consent of H&B.



# SUBSTRATE DEFECTS

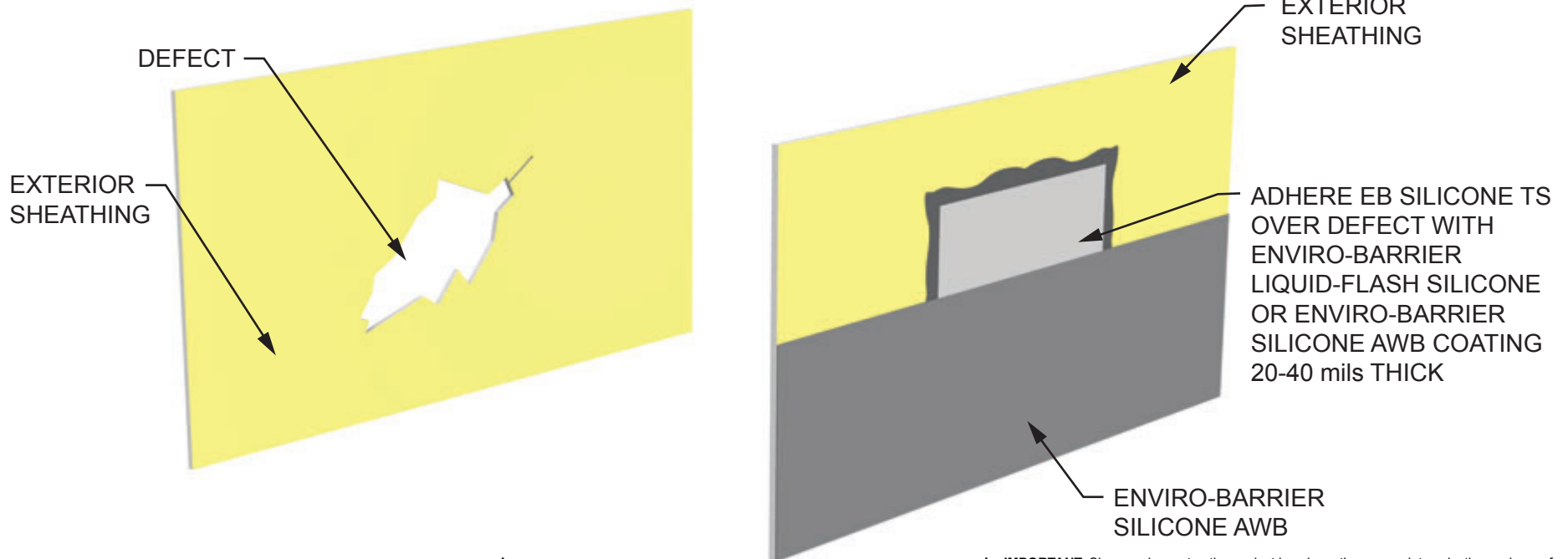
## ENVIRO-BARRIER™ SILICONE AIR AND WATER-RESISTIVE BARRIER SYSTEM

### INSTALLATION NOTES

IMAGE FOR ILLUSTRATIVE PURPOSES ONLY  
NOT TO SCALE

#### NOTES:

- Minor defects such as small gouges, dents, and etc., may be able to be covered by applying ENVIRO-BARRIER SILICONE AWB or ENVIRO-BARRIER LIQUID-FLASH SILICONE directly over the affected areas. Ensure a continuous seal is achieved.
- When using ENVIRO-BARRIER LIQUID-FLASH SILICONE as an adhesive, apply a continuous bead around the entire defect area at least 1" (25mm) from the edge and spread/trowel smooth to a thickness of 25-40 mils. Cut EB SILICONE TS to appropriate size and adhere over the defective area. Edges of EB SILICONE TS must be fully embedded in ENVIRO-BARRIER LIQUID-FLASH SILICONE to ensure a watertight seal.
- When using ENVIRO-BARRIER SILICONE AWB as an adhesive, apply first coat (min. 10 mils) by roller at a width to sufficiently accommodate EB SILICONE TS. Wait until coating becomes tacky and press the EB SILICONE TS into the coating of ENVIRO-BARRIER SILICONE AWB.
- Apply ENVIRO-BARRIER SILICONE AWB over entire face of sheathing, including the area of the repaired substrate defect.
- See ENVIRO-BARRIER SILICONE AWB data sheet for a list of additional acceptable sealants/liquid flashing products.



**HOHMANN & BARNARD, Inc.**  
30 Rasons Court | Hauppauge, NY 11788

T: 800.645.0616 F: 631.234.0683 [www.h-b.com](http://www.h-b.com)

DATE: 05/01/2021

DETAIL: EB-SI-AWB-19

**IMPORTANT:** Since each construction project is unique, the appropriate selection and use of any product contained herein must be determined by competent architects, engineers and other appropriate professionals who are familiar with the specific requirements of the project in question. This drawing and/or data sheet is the confidential and proprietary information of Hohmann & Barnard, Inc. and is not to be reproduced, copied or disclosed, in whole or in part, without the prior written consent of H&B.