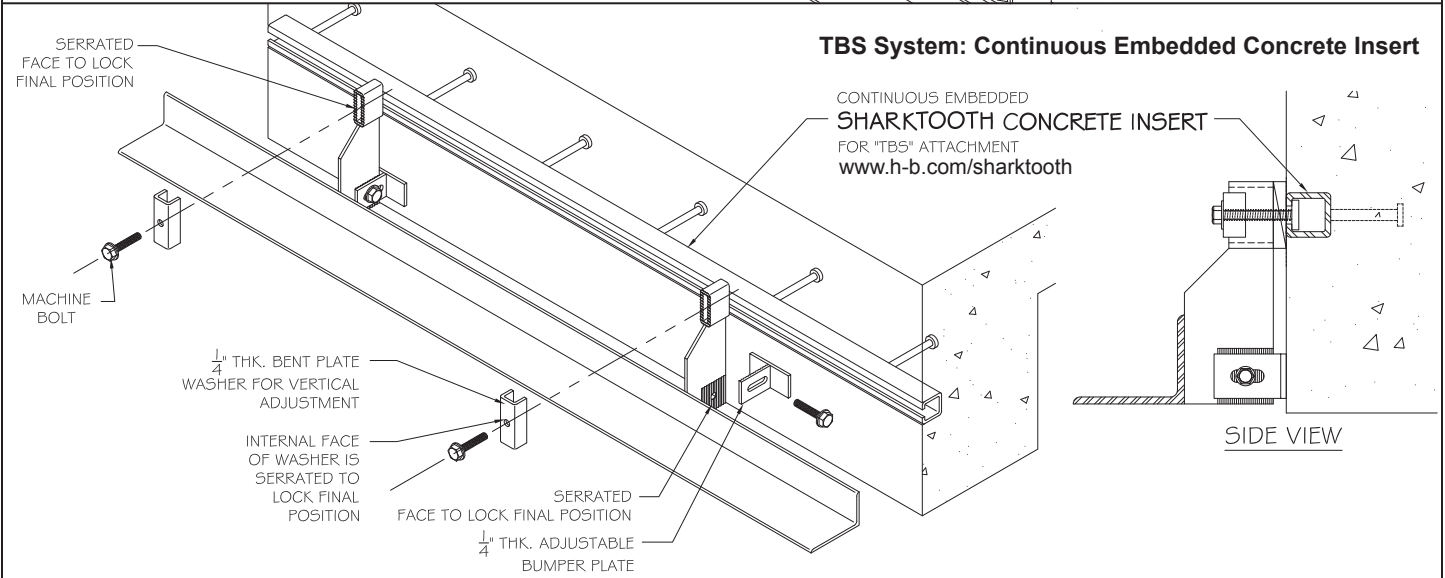
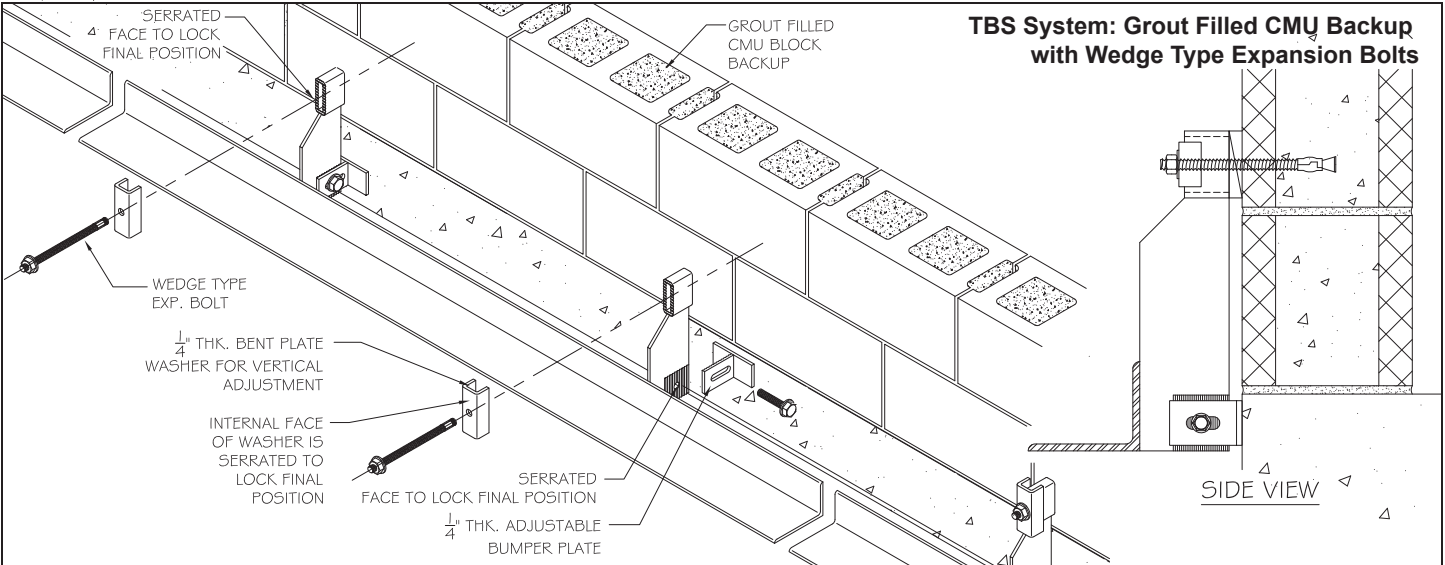


**HOHMANN & BARNARD, INC.**  
a MiTek company

# Brick Relief Angles

## TBS

### Thermal Brick Support System



**HOHMANN & BARNARD's TBS Thermal Brick Support!**

- A groundbreaking brick veneer support system that **reduces thermal bridging in relief angles**, to improve the energy efficiency of your building!
- **Allows for continuous insulation** behind the support angle; saving installation time and improving energy efficiency.
- The system design permits a wide range of adjustments in multiple directions to accommodate construction tolerances.
- **MANUFACTURED IN THE USA!**

**MATERIAL CONFORMANCE**  
Carbon Steel: **ASTM A1008/A1008M**  
Zinc Coating: Hot-Dip Galv. after fabrication: **ASTM A153/A153M-B2**  
Stainless Steel: **ASTM A666, ASTM A480/480M, ASTM A240/A240M**  
**AISI Type 304 or 316**

**TBS Available Finishes:**

<input type="checkbox"/> Carbon Steel	<input type="checkbox"/> Hot-Dip Galvanized
<input type="checkbox"/> Stainless Steel - Type 304	<input type="checkbox"/> Stainless Steel - Type 316

**H&B recommends Stainless Steel for maximum protection against corrosion**

**TBS Dimensions:**  
The dimensions of the Thermal Brick Support (TBS) System are determined per individual project requirements.

**IMPORTANT:** Since each construction project is unique, the appropriate selection and use of any product contained herein must be determined by competent architects, engineers and other appropriate professionals who are familiar with the specific requirements of the project in question. This drawing and/or data sheet is the confidential and proprietary information of Hohmann & Barnard, Inc. and is not to be reproduced, copied or disclosed, in whole or in part, without the prior written consent of H&B.

**HOHMANN & BARNARD, Inc.**  
CORPORATE HEADQUARTERS  
30 Rasons Court | Hauppauge, NY 11788  
T: 800.645.0616 F: 631.234.0683  
**www.h-b.com**

**Branch/Subsidiary Locations:**  
ALABAMA - ARIZONA - ILLINOIS  
MARYLAND - NEW YORK  
PENNSYLVANIA - TEXAS - UTAH  
CANADA