

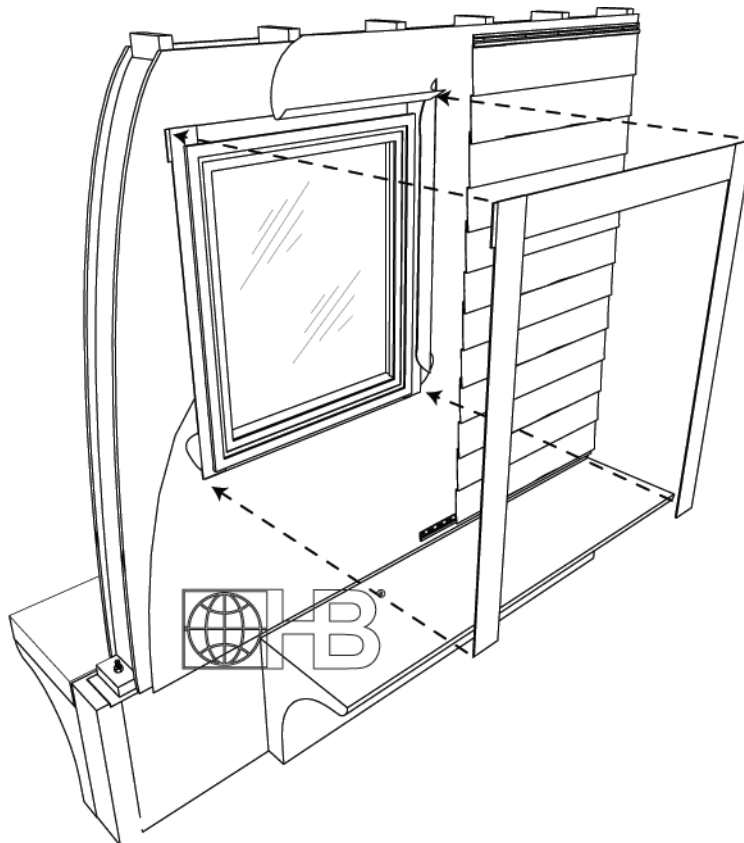
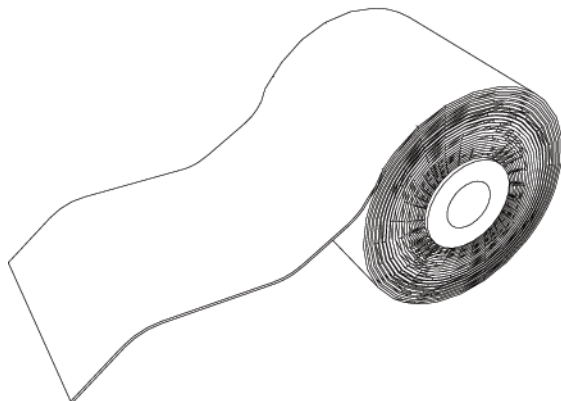


HOHMANN & BARNARD, INC.
A MiTek - BERKSHIRE HATHAWAY COMPANY

Residential Products: Window Products

Top-Seal Tape™

Self-Sealing Over-Flange Tape



DRAWINGS FOR ILLUSTRATIVE PURPOSES ONLY

Top-Seal Tape™ is a self-sealing over-flange tape. The adhesive-backing (with removable release paper) will not rot, crack or drool like typical rubberized-asphalt adhesives. It is easy to install and resists tearing and slicing.

- 40 mil thick composite membrane (reinforced polyolefin base, laminated to a polypropylene layer)
- UV resistant up to six months.
- Self-sealing: seals around fasteners
- 4" x 50' long roll

NOTE: For maximum weatherproofing, use in conjunction with Wrap-N-Seal™ window wrap.

Patents Pending

Manufactured from 45% post-industrial and/or post-consumer recycled material.

Dimensions:

- 4" wide x 50 ft. long
- Thickness: 40 mil

Technical Data:

- Tensile Strength - **ASTM D751-95**
 - Machine Direction (Force) 130 lbs
 - Cross Direction (Force) 124 lbs
- Trapezoidal Tear Strength - **ASTM D4533-91**
 - Machine Direction (Force) 46 lbs
 - Cross Direction (Force) 44 lbs
- Mullen Burst - **ASTM D751-95** 180 psi
- UV Exposure (2000 hours) - **ASTM G154-98** >90%
- Permeability
 - MVTR - **ASTM E96 - B** <.075 Perms¹
 - Air permeability - **TAPPI-460** >5000 Sec/100cc

¹Grains/h/ft²/in Hg (perms)

HOHMANN & BARNARD, Inc.
30 Rasons Court | Hauppauge, NY 11788
CORPORATE HEADQUARTERS
T: 800.645.0616 F: 631.234.0683
www.h-b.com

Branch/Subsidiary Locations:
ALABAMA - ILLINOIS - MARYLAND
NEW YORK - PENNSYLVANIA - TEXAS
CANADA

© HOHMANN & BARNARD, INC. - 2012