

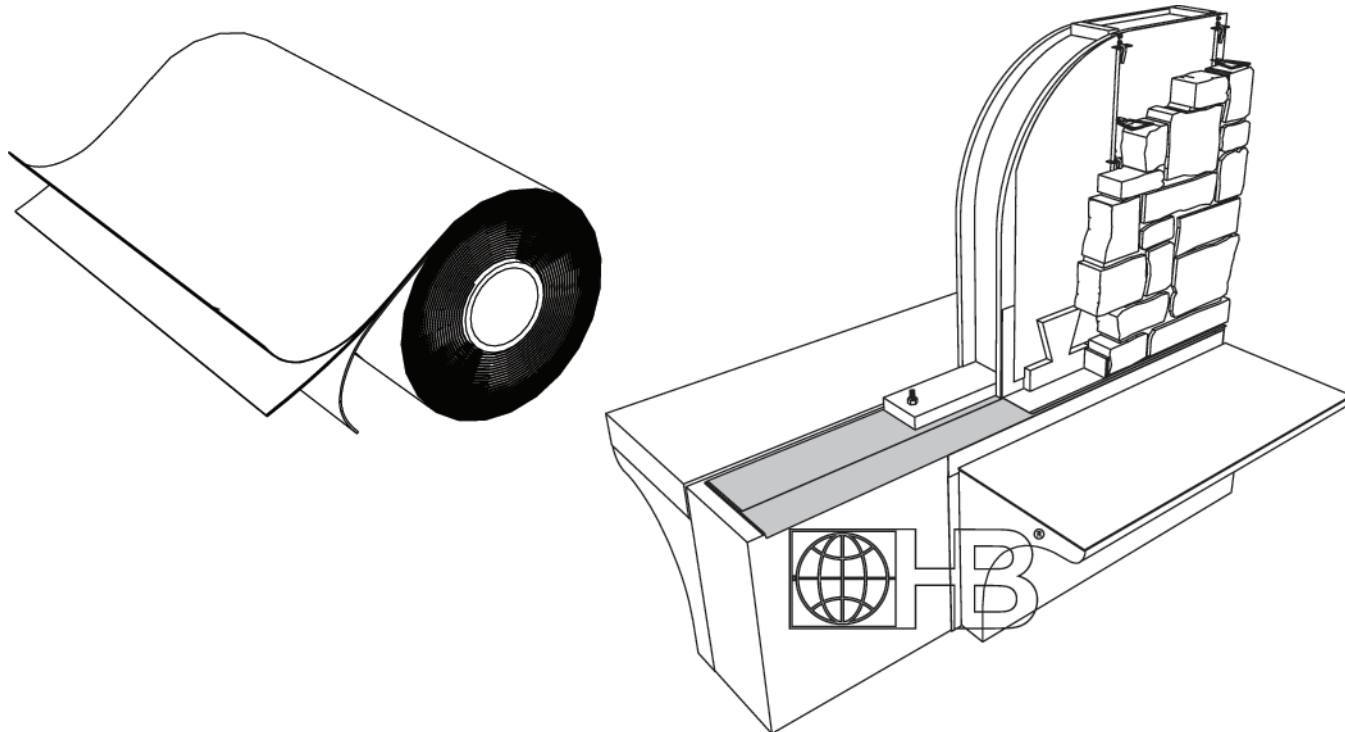


**HOHMANN & BARNARD, INC.**  
A MiTek - BERKSHIRE HATHAWAY COMPANY

## Residential Products

# Mite-Out™

Copper Termite Shield with Sill Seal



### H&B Mite-Out™

*Copper Termite Shield with Sill Seal*

H&B's Mite-Out™ is a sheet of soft-tempered copper that is permanently coated on one side with a polyethylene membrane and foam sill seal. Copper flashing has long been used in masonry construction due to its pliability and nonreaction to any alkalais or acids that may be found in mortar.

**U.S. Pat. No. 7,603,816.** Other Patents Pending

- Compatible with ACQ and all other treatments for pressure treated lumber.
- Asphalt-free adhesive will not stain concrete, vinyl or wood.
- Compatible with all adhesives, caulks and sealants.
- Available in 8", 10" or 12" wide.
- 50' long roll.

**Eco-Friendly alternative to using chemical pesticide treatments.**

**Roll Width:** (rolls are 50 ft. long)

- 8"     10"     12"

### Technical Data

*Closed Cell Non-Crosslinked Polyethylene Foam*

- Tensile Strength - **ASTM D3575, ASTM D412**  
Machine Direction 41 psi  
Cross Direction 37 psi
- Elongation - **ASTM D3575, ASTM D412**  
Machine Direction 210 psi  
Cross Direction 185 psi

*Copper Foil*

- Tensile - 20.10 KG/mm<sup>2</sup>

*Polyethylene Film*

- Tensile Strength    MD 3,335 psi  
                                  TD 3,640 psi
- Ultimate Elongation MD 710%  
                                  TD 850%

**HOHMANN & BARNARD, Inc.**  
30 Rasons Court | Hauppauge, NY 11788  
CORPORATE HEADQUARTERS  
T: 800.645.0616 F: 631.234.0683  
[www.h-b.com](http://www.h-b.com)

**Branch/Subsidiary Locations:**  
ALABAMA - ILLINOIS - MARYLAND  
NEW YORK - PENNSYLVANIA - TEXAS  
CANADA

© HOHMANN & BARNARD, INC. - 2012