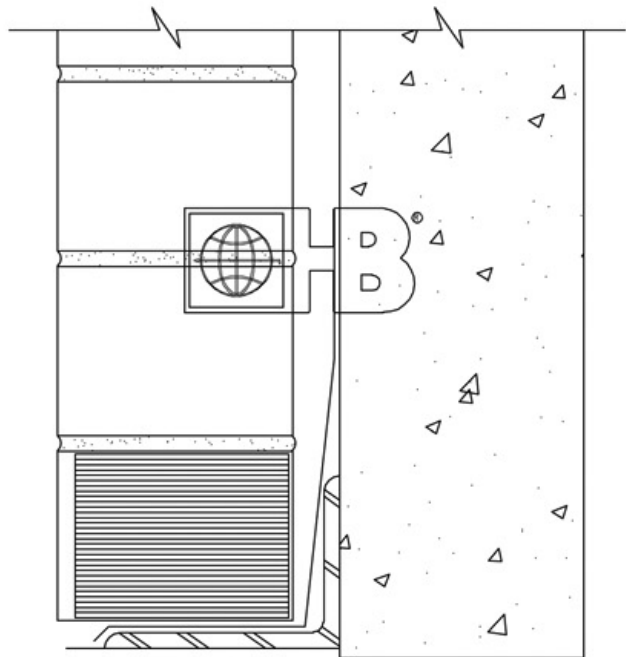
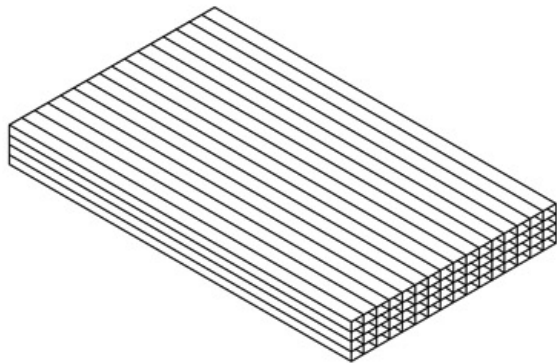


#QV - Quadro-Vent



DRAWINGS FOR ILLUSTRATIVE PURPOSES ONLY

FEATURES:

- Quadro-Vent's honeycomb design allows passage of moisture from cavity to the building exterior while restricting ingress of insects and other debris.
- Quadro-Vent allows passage of moisture up to its 2 1/2" height, important in the event of mortar droppings at bottom of cavity.
- Polypropylene tested in conformance with ASTM D2240, D790B, D638 and D1238B.

SIZE:

- Standard: 3/8" x 2 1/2" x 3 3/8"
- Jumbo: 3/8" x 3 1/2" x 3 1/2"
- Custom Cut: 3/8" x ____ x ____

COLOR:

- Gray
- Clear
- Cocoa
- Almond