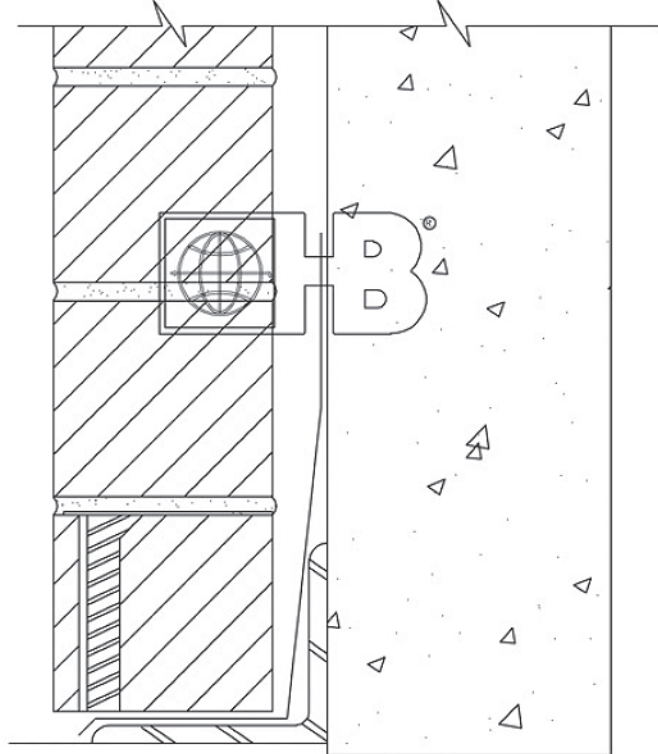
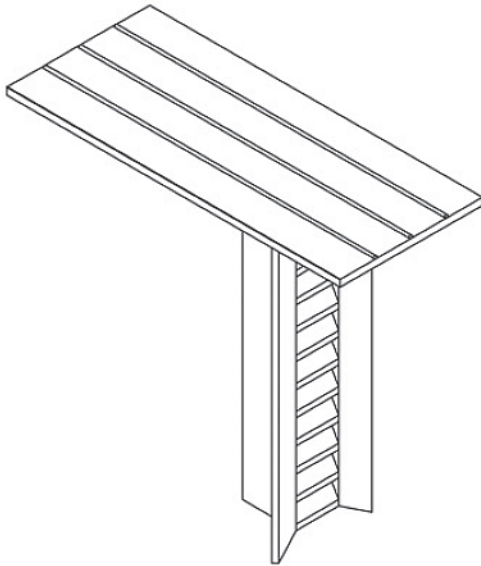




HOHMANN & BARNARD, INC.  
A MiTek - BERKSHIRE HATHAWAY COMPANY

## Weep Holes/Vents

# 343 Louvered Weep Holes



DRAWINGS FOR ILLUSTRATIVE PURPOSES ONLY

### 343 Features:

- Injection-molded flexible PVC
- Configuration of louvers directs passage of water from cavity to outside of building, while preventing reverse passage of water.
- Design permits air passage into cavity, thus aiding pressure equalization and reducing suction which can cause water penetration.
- Rectangular closure strip prevents mortar droppings from clogging openings.
- Compressible flanges can accommodate joint widths of  $\frac{1}{2}$ " -  $\frac{3}{4}$ ".
- Color: 343 available in gray only

### Size:

- Standard: 2  $\frac{1}{4}$ "
- Medium: 2  $\frac{7}{8}$ "
- Jumbo: 3  $\frac{1}{2}$ "

HOHMANN & BARNARD, Inc.  
30 Rasons Court | Hauppauge, NY 11788  
CORPORATE HEADQUARTERS  
T: 800.645.0616 F: 631.234.0683  
[www.h-b.com](http://www.h-b.com)

Branch/Subsidiary Locations:  
ALABAMA - ILLINOIS - MARYLAND  
NEW YORK - PENNSYLVANIA - TEXAS  
CANADA

© HOHMANN & BARNARD, INC. - 2012