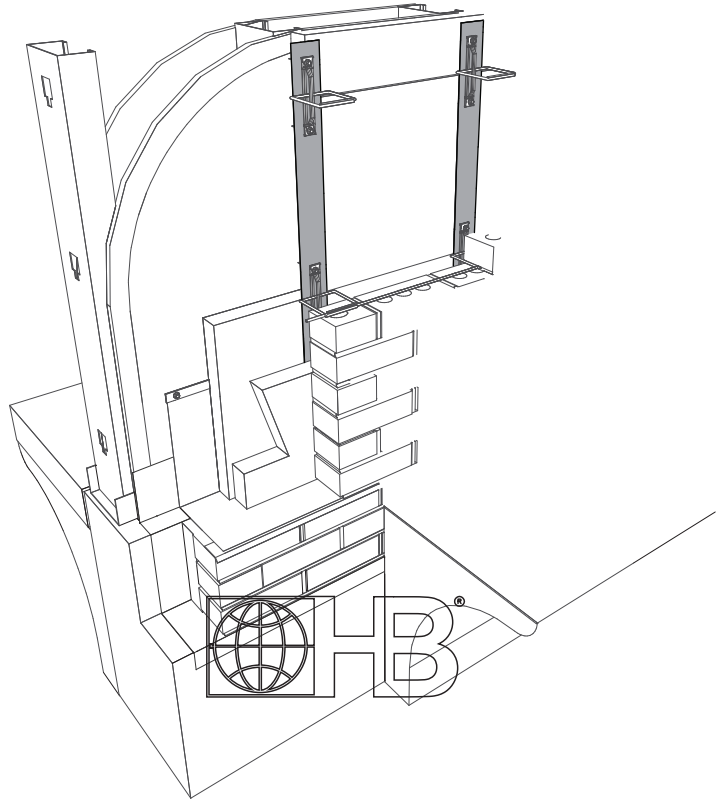
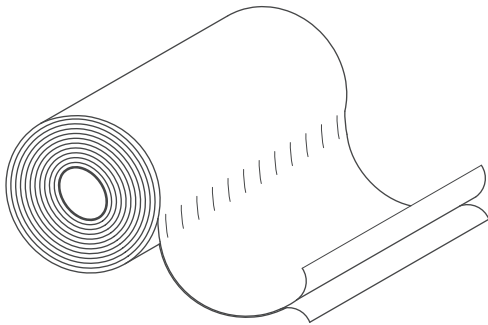


# Veneer Anchors

## X-SEAL™ Anchor Tape



DRAWINGS FOR ILLUSTRATIVE PURPOSES ONLY

### X-Seal Anchor Tape

for X-Seal® Veneer Anchor

Seals around the shaft of the screw and legs of X-Seal™ Anchors at the point of penetration. X-SEAL Anchor Tape has been designed to be applied in continuous lengths only. It can also be used as an insulation joint tape.

- Reinforced polyolefin base, laminated to a polypropylene layer.
- Adhesive-backed with removable release liner
- UV resistant for up to 90 days

**Patents Pending**

### Storage and Protection:

X-SEAL Anchor Tape should be stored between 40°F (5°C) and 100°F (38°C).

If exposed to lower temperatures, restore product to a minimum of 40° F (5° C) before application.

**Manufactured from 45% post-industrial and/or post-consumer recycled material.**

**\* Please refer to Hohmann & Barnard installation instructions for more information.**

### Technical Data:

- Tensile Strength - **ASTM D751-95**  
Machine Direction (Force) 130 lbs  
Cross Direction (Force) 124 lbs
- Trapezoidal Tear Strength - **ASTM D4533-91**  
Machine Direction (Force) 46 lbs  
Cross Direction (Force) 44 lbs
- Mullen Burst - **ASTM D751-95** 180 psi
- UV Exposure (2000 hours) - **ASTM G154-98** >90%
- Permeability  
MVTR - **ASTM E96 - B** <.075 Perms<sup>1</sup>  
Air permeability - **TAPPI-460** >5000 Sec/100cc

**Size:** 3" wide x 75' long

<sup>1</sup>Grains/h/ft<sup>2</sup>/in Hg (perms)

**IMPORTANT:** Since each construction project is unique, the appropriate selection and use of any product contained herein must be determined by competent architects, engineers and other appropriate professionals who are familiar with the specific requirements of the project in question. This drawing and/or data sheet is the confidential and proprietary information of Hohmann & Barnard, Inc. and is not to be reproduced, copied or disclosed, in whole or in part, without the prior written consent of H&B.