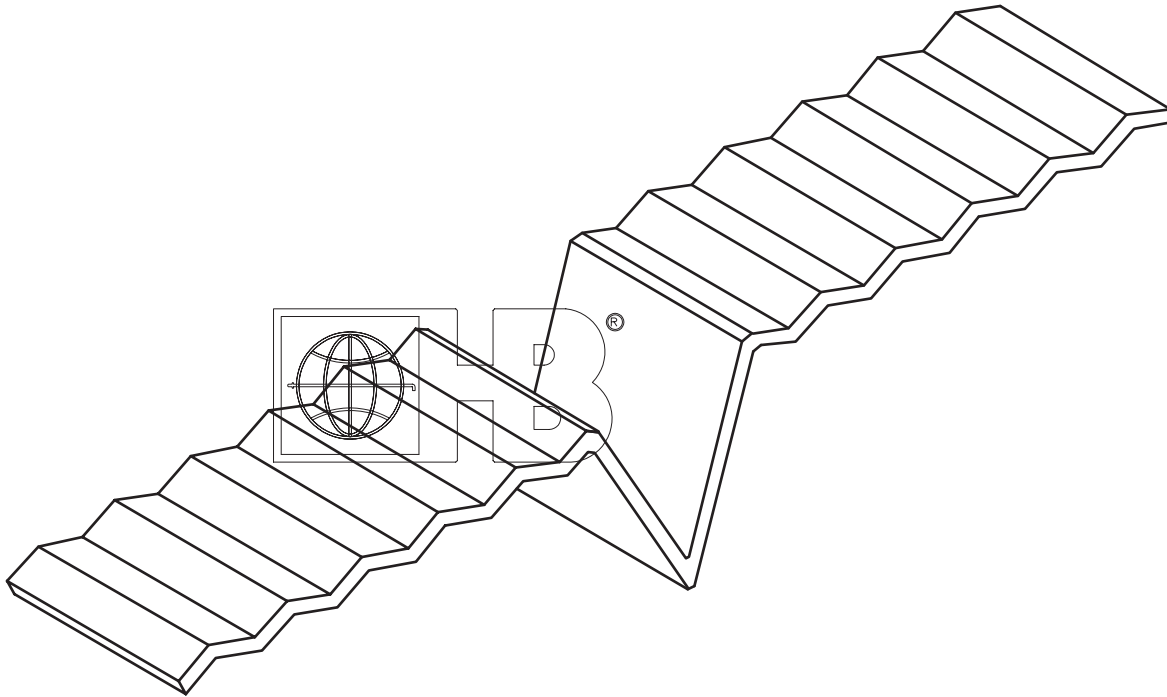


Ties & Anchors - Miscellaneous

Corrugated Control Joint Anchor



DRAWINGS FOR ILLUSTRATIVE PURPOSES ONLY

Corrugated Control Joint Anchors: allows for the expansion and contraction in a masonry wall that can produce cracking

MATERIAL CONFORMANCE

Sheet Metal (Stainless Steel):
ASTM A666, ASTM A480/480M, and ASTM A240/A240M AISI Type 304 or Type 316

Finish:

Stainless Steel: Type 304 Type 316

Note: Hohmann & Barnard recommends Stainless Steel for maximum protection against corrosion.

Dimensions:

- 6-1/4" (159 mm) overall length x 1" (25.4 mm) wide x 22 gauge.
- V-Section is 1/4" (6.35 mm) wide x 1-3/4" (44.4 mm) deep.

IMPORTANT: Since each construction project is unique, the appropriate selection and use of any product contained herein must be determined by competent architects, engineers and other appropriate professionals who are familiar with the specific requirements of the project in question. This drawing and/or data sheet is the confidential and proprietary information of Hohmann & Barnard, Inc. and is not to be reproduced, copied or disclosed, in whole or in part, without the prior written consent of H&B.