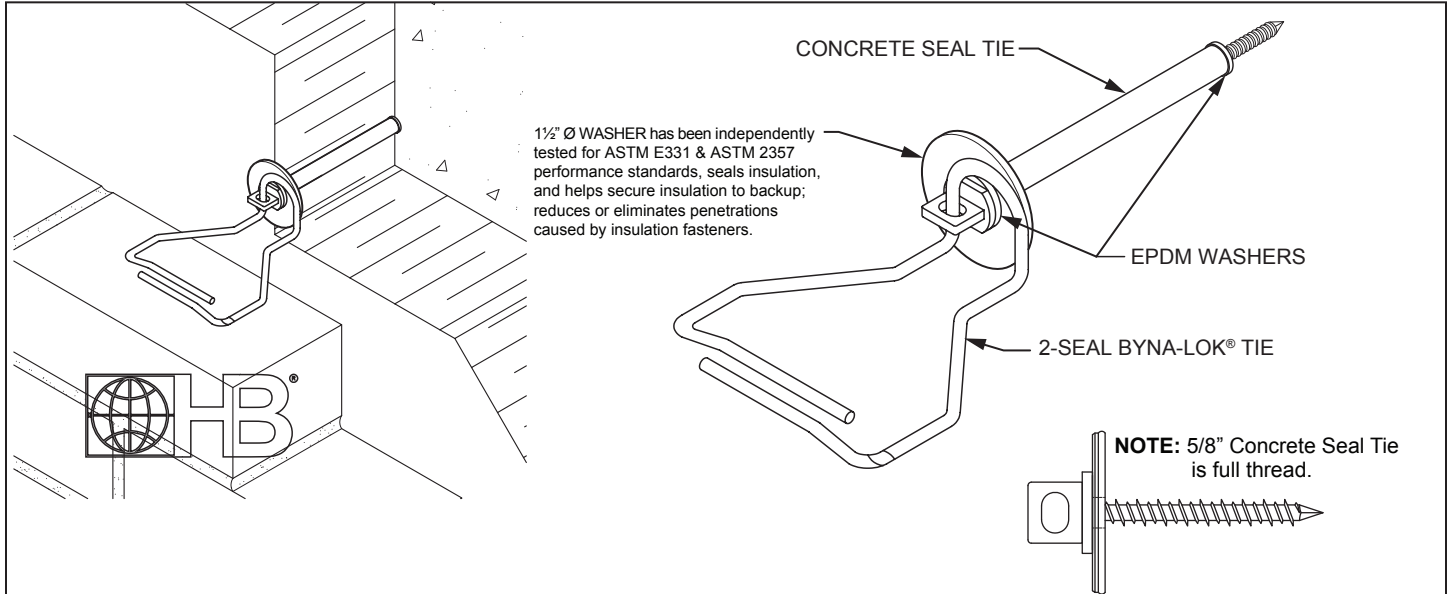


HOHMANN & BARNARD, INC.
a MiTek company

Veneer Anchors Concrete Seal Tie™



2-SEAL WITH 2-SEAL WIRE TIE (WORKING LOAD*)

CAVITY	0" OFFSET	5/8" OFFSET	1 1/4" OFFSET	TEST
6 1/2"	573#	N/A	206#	TENSION
6 1/2"	402#	N/A	166#	COMPRESSION

* WORKING LOAD DETERMINED AT .05" DEFLECTION

Tests were completed for 4 1/2" insulation with 2" air cavity.

SCREW PULL-OUT (1 1/4" minimum embed)

CONCRETE	C-90 Hollow Block
810# (average ultimate load)	700# (average ultimate load)

Pullout values assume wire 2-Seal Byna-Lok Wire Tie is fully engaged into 2-Seal Tie with "0" eccentricity.

DRAWINGS FOR ILLUSTRATIVE PURPOSES ONLY

H&B RECOMMENDS 16" X 16" SPACING

Concrete Seal Tie™ is an innovative single screw veneer tie suitable for use with concrete, CMU, wood stud or brick backup.

- Screw with alternating threads and two factory-installed EPDM sealing washers
- Available for 5/8" - 4 1/2" insulation and/or wall board thickness
- **Pre-drill a 7/32" (4 mm) hole into concrete, CMU, or masonry backup to a depth of 2" (51 mm)**

Barrel (Zamac Zinc): **ASTM B86** (92% Zinc Alloy) with protective polymer coating for corrosion resistance

Screw (Carbon Steel): **ASTM A510** (Carbon Steel)
ASTM C954 (1000-hour polymer coating)

Wire (Carbon Steel): Prefabricated from cold-drawn steel wire conforming to **ASTM A1064/A1064M**

Tensile Strength - 80,000 p.s.i. | Yield Point - 70,000 p.s.i. minimum Zinc Coating:

Hot-Dip Galvanized after fabrication: **ASTM A153/A153M-B** (1.5 oz/ft²)

Wire (Stainless Steel): **ASTM A580/A580M** - AISI Type 304 or Type 316

Concrete Seal Tie Finish*:

Polymer Coated

* **For Stainless Steel, refer to the Thermal Concrete 2-Seal™ Tie or the Thermal Concrete 2-Seal Wing Nut Anchor.**

Concrete Seal Tie (Equal to thickness of insulation):

5/8" 1" 1 1/2" 2" 2 1/2" 3" 3 1/2"

4" 4 1/2" 5"

2-Seal Byna-Lok™ Wire Tie Finish:

Hot-Dip Galvanized | Stainless Steel Type 304 Type 316

2-Seal Byna-Lok™ Wire Tie Length: (3/16"Ø)

3" 4" 5" Custom _____

Continuous Wire Finish:

Hot-Dip Galvanized | Stainless Steel Type 304 Type 316

Continuous Wire Diameter: 9 gauge 3/16"Ø

Note: Hohmann & Barnard recommends Stainless Steel for maximum protection against corrosion.

IMPORTANT: Since each construction project is unique, the appropriate selection and use of any product contained herein must be determined by competent architects, engineers and other appropriate professionals who are familiar with the specific requirements of the project in question. This drawing and/or data sheet is the confidential and proprietary information of Hohmann & Barnard, Inc. and is not to be reproduced, copied or disclosed, in whole or in part, without the prior written consent of H&B.

HOHMANN & BARNARD, Inc.
CORPORATE HEADQUARTERS
30 Rasons Court | Hauppauge, NY 11788
T: 800.645.0616 F: 631.234.0683
www.h-b.com

Branch/Subsidiary Locations:
ALABAMA - ARIZONA - ILLINOIS
MARYLAND - NEW YORK
PENNSYLVANIA - TEXAS - UTAH
CANADA

© 2013-2017 MiTek®