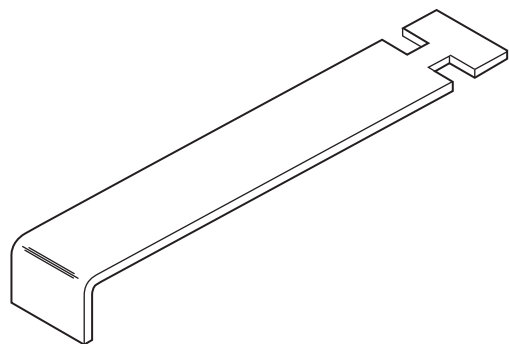
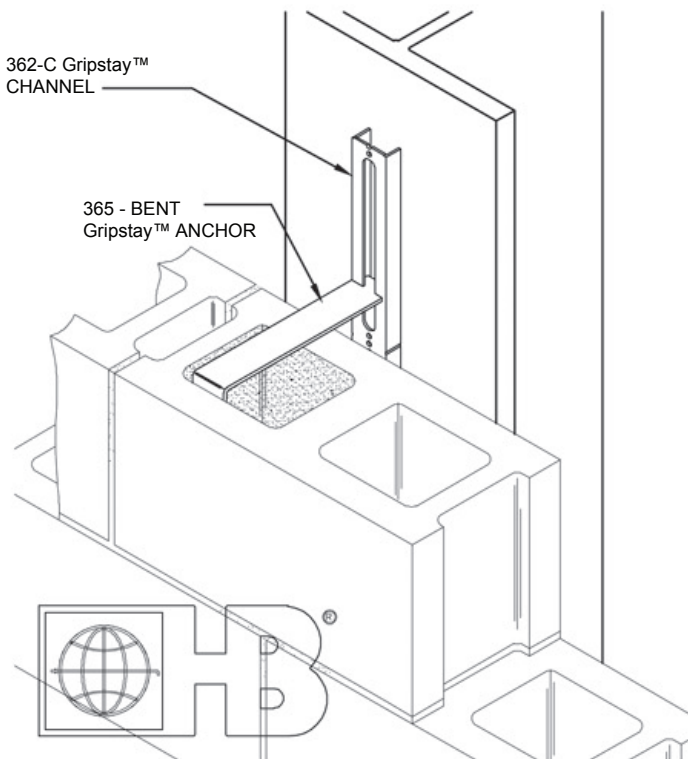


Gripstay™ Anchors, Channels & Ties

365 - Bent Gripstay™ Anchor



365 - BENT Gripstay™ ANCHOR



DRAWINGS FOR ILLUSTRATIVE PURPOSES ONLY

365 - Bent Gripstay™ Anchor ties masonry to steel columns, concrete or existing walls. The Gripstay™ head fits any H&B Gripstay™ Channel.

MATERIAL CONFORMANCE

Sheet Metal (Carbon Steel): **ASTM A1008/A1008M**

Zinc Coating:

Hot-Dip Galvanized: **ASTM A153/A153M Class B** (1.5 oz/ft²)

(sheet metal ties and anchors galvanized after fabrication)

Note: Hohmann & Barnard will certify to a minimum of 2.0 oz/ft²

Sheet Metal (Stainless Steel):

ASTM A666, ASTM A480/ASTM A480M, and ASTM A240/A240M - AISI Type 304 or Type 316

Dimensions:

1¼" wide x 16 ga., 14 ga., or 12 ga. thick x length to suit

Hohmann & Barnard is not responsible for incompatibility if ties or slots are interchanged with those of other manufacturers.

Finish:

Hot-Dip Galv. Stainless Steel: Type 304 Type 316

Note: Hohmann & Barnard recommends Stainless Steel for maximum protection against corrosion.

Thickness (1¼" wide):

16 gauge
 14 gauge
 12 gauge

Length: standard lengths 2 ½" - 8 ½", bend is 1" long

Specify length (taken from face of channel) _____

IMPORTANT: Since each construction project is unique, the appropriate selection and use of any product contained herein must be determined by competent architects, engineers and other appropriate professionals who are familiar with the specific requirements of the project in question.