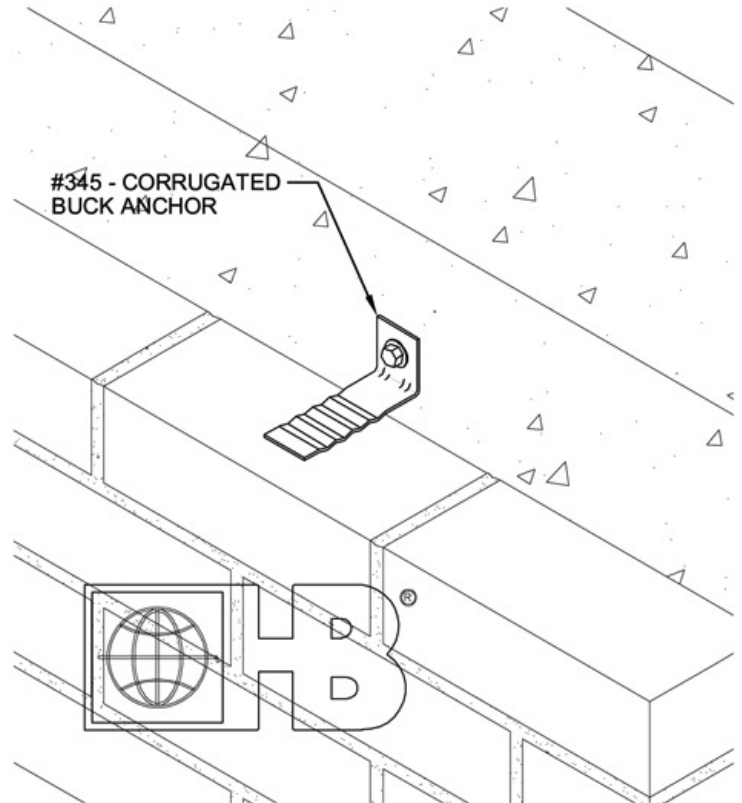
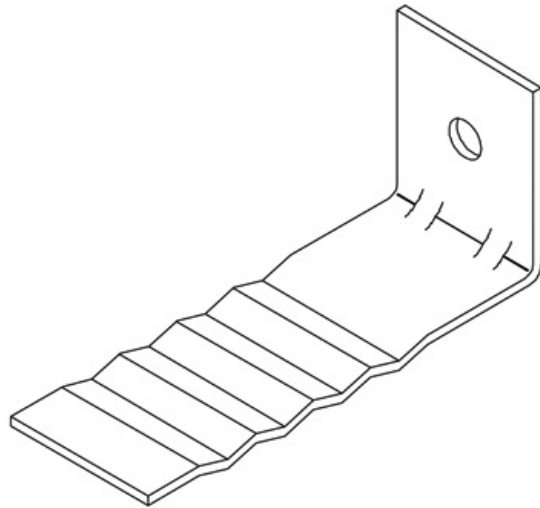


#345 - Corrugated Buck Anchor



DRAWINGS FOR ILLUSTRATIVE PURPOSES ONLY

SHEET METAL (Carbon Steel):
 ASTM A 366
 Zinc Coating:
 ASTM A 153 Class B (sheet metal ties and anchors hot-dip galvanized after fabrication).
 Note: Hohmann & Barnard will certify to a minimum of 2.0 oz/ff

SHEET METAL (Stainless Steel):
 ASTM A 167 - AISI Type 304 Stainless Steel (sheet metal ties and anchors) (Type 316 available on special order).
 Note: H&B recommends Stainless Steel for maximum protection against corrosion.

THICKNESS:

- 14 Gauge
- 12 Gauge

LENGTH:

- 3 1/2"
- 5 1/2"
- _____

WIDTH:

- 1 1/4"
- 1 1/2"
- 2"

FINISH:

- Hot Dip Galvanized
- Stainless Steel

Standard hole is 9/32"Ø. Other sizes available on request.