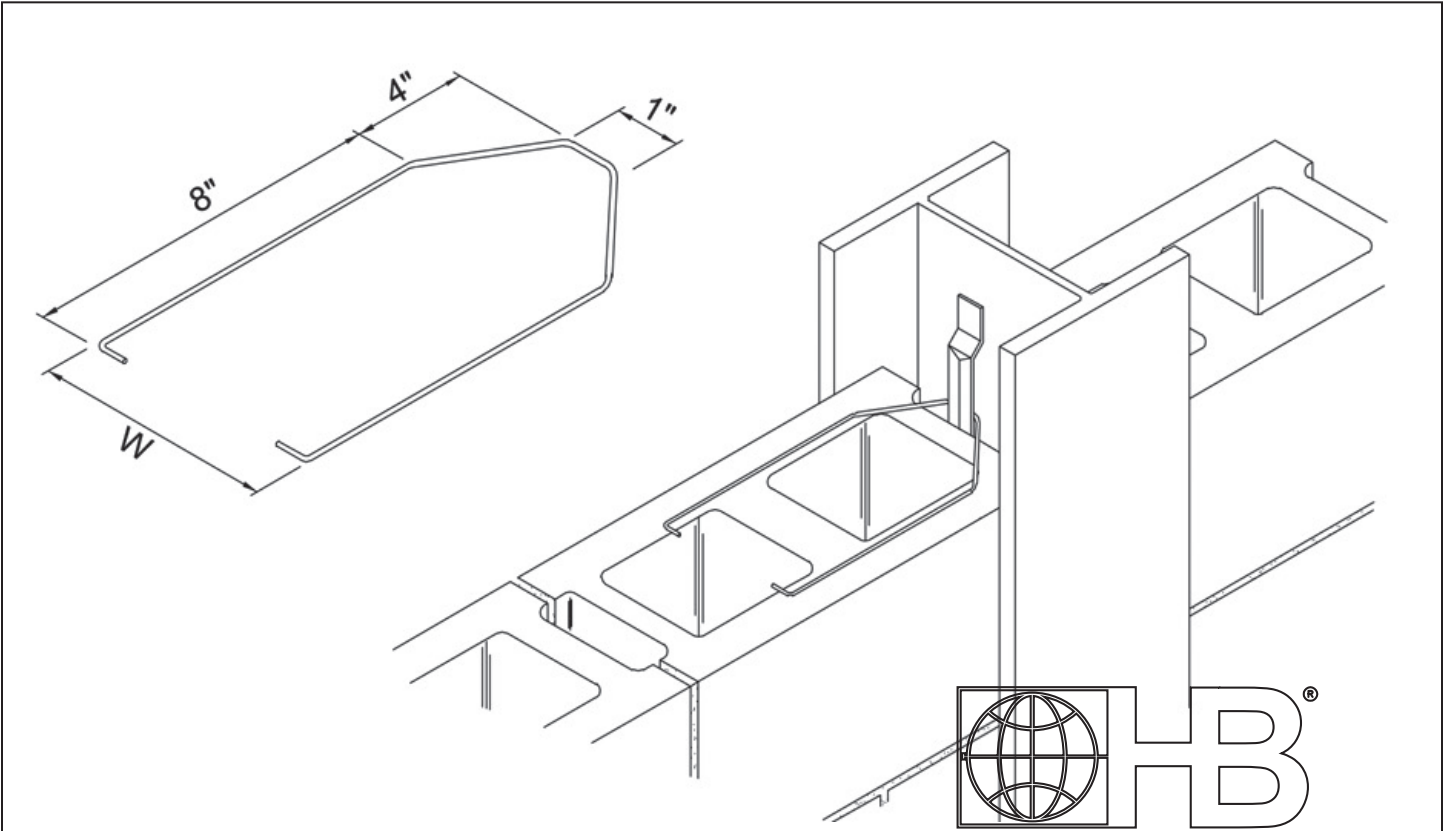


Column and Beam Anchors

302W - Column Web Tie



DRAWINGS FOR ILLUSTRATIVE PURPOSES ONLY

302W Column Web Tie is for tying masonry to structural columns with 359-FH Weld-On Ties.

MATERIAL CONFORMANCE

Hohmann & Barnard joint reinforcement products conform to:
ASTM A951/A951M (Standard Specification for Steel Wire for Masonry Joint Reinforcement)
ACI / ASCE 530 (Building Code Requirements for Masonry Structures)

Wire (Carbon Steel): Prefabricated from cold-drawn steel wire conforming to **ASTM A1064/A1064M**
 Tensile Strength - 80,000 p.s.i.
 Yield Point - 70,000 p.s.i. minimum
 Zinc Coating:
 Hot-Dip Galvanized after fabrication: **ASTM A153/A153M-B2** (1.5 oz/ft²)
 Note: Hohmann & Barnard will certify to a minimum of 2.0 oz/ft²

Wire (Stainless Steel): **ASTM A580/ASTM 580M** - AISI Type 304 or Type 316

Dimensions:

3/16"Ø or 1/4"Ø x 2 3/8", 4", 6", 8", 10", or 12" wide x 12" long

H&B manufactures carbon steel wire products from a minimum of 95% recycled material.

Finish:

- Hot-Dip Galvanized
- Stainless Steel - Type 304
- Stainless Steel - Type 316

Note: Hohmann & Barnard recommends Stainless Steel for maximum protection against corrosion.

Wire Diameter:

- 3/16" (standard)
- 1/4" (heavy duty)

Column Web Tie Width:

- 2 3/8" (for 4" block)
- 4" (for 6" block)
- 6" (for 8" block)
- 8" (for 10" block)
- 10" (for 12" block)

Note: Standard Length is 12" long.

IMPORTANT: Since each construction project is unique, the appropriate selection and use of any product contained herein must be determined by competent architects, engineers and other appropriate professionals who are familiar with the specific requirements of the project in question. This drawing and/or data sheet is the confidential and proprietary information of Hohmann & Barnard, Inc. and is not to be reproduced, copied or disclosed, in whole or in part, without the prior written consent of H&B.