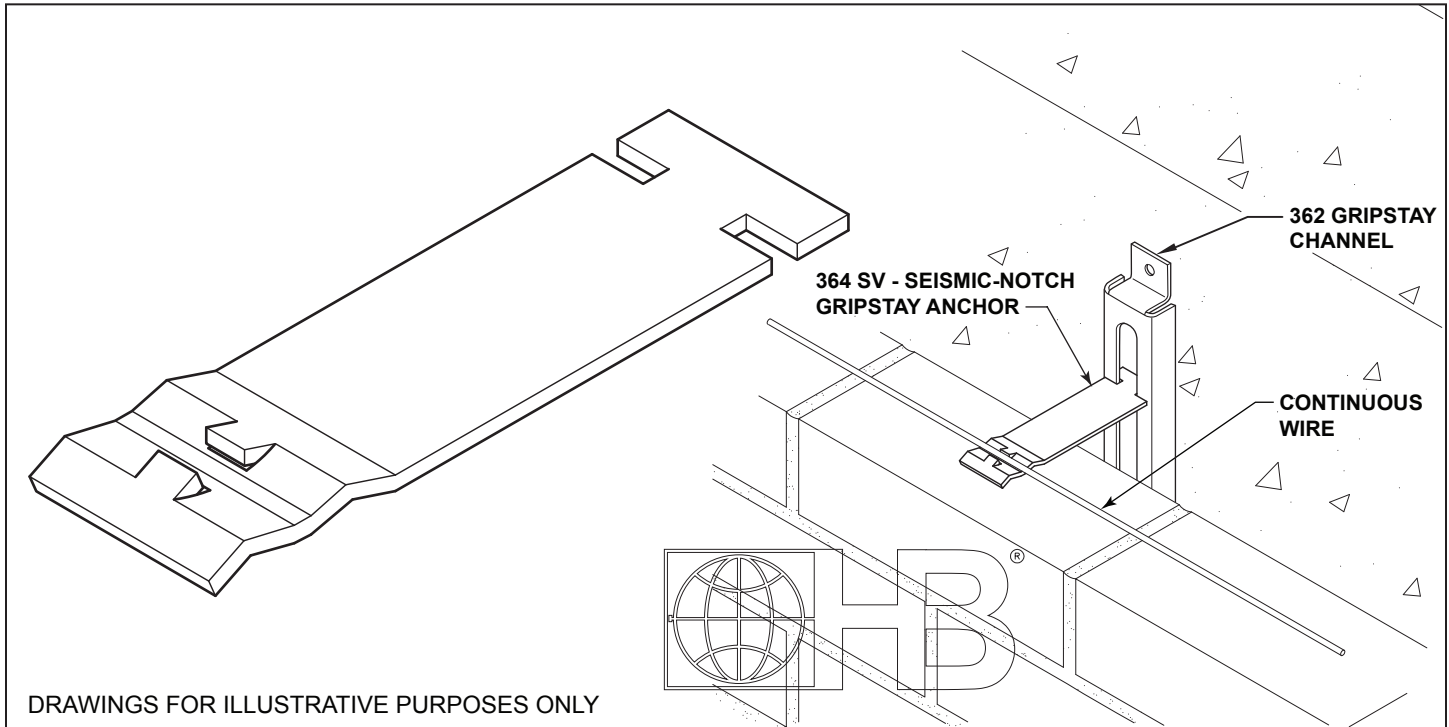


## Seismic Anchors and Ties

# 364-SV

Seismic-Notch Gripstay Anchor



DRAWINGS FOR ILLUSTRATIVE PURPOSES ONLY

**364-SV Veneer Anchor** features a Gripstay Head and a Seismic Notch (accommodates 9 gauge or 3/16"Ø continuous wire)

**MATERIAL CONFORMANCE**

**Wire (Carbon Steel):** Prefabricated from cold-drawn steel wire conforming to **ASTM A1064/A1064M**  
Tensile Strength - 80,000 psi | Yield Point - 70,000 psi minimum  
Zinc Coating:  
Hot-Dip Galvanized after fabrication: **ASTM A153/A153M-B** (1.5 oz/ft<sup>2</sup>)  
Note: Hohmann & Barnard will certify to a minimum of 2.0 oz/ft<sup>2</sup>

**Wire (Stainless Steel):** **ASTM A580/A580M** - AISI Type 304 or Type 316

**Sheet Metal (Carbon Steel):** **ASTM A1008/A1008M**  
Zinc Coating:  
Hot-Dip Galvanized: **ASTM A153/A153M Class B** (1.5 oz/ft<sup>2</sup>)  
(sheet metal ties and anchors galvanized after fabrication)  
Note: Hohmann & Barnard will certify to a minimum of 2.0 oz/ft<sup>2</sup>

**Sheet Metal (Stainless Steel):** **ASTM A666, ASTM A480/480M, and ASTM A240/A240M** - AISI Type 304 or Type 316

**H&B manufactures steel wire products from a minimum of 95% recycled material.**

**Finish:**

Hot-Dip Galv.    Stainless Steel:  Type 304     Type 316

**Note: Hohmann & Barnard recommends Stainless Steel for maximum protection against corrosion.**

**Thickness:**

16 gauge  
 14 gauge  
 12 gauge

**Length:** specify length \_\_\_\_\_

**Continuous Wire:**

9 gauge                       3/16"Ø

**Dimensions:**

1 1/4" wide x 16 ga., 14 ga., or 12 ga. thick x length to suit

**H&B manufactures steel wire products from a minimum of 95% recycled material.**

**IMPORTANT:** Since each construction project is unique, the appropriate selection and use of any product contained herein must be determined by competent architects, engineers and other appropriate professionals who are familiar with the specific requirements of the project in question. This drawing and/or data sheet is the confidential and proprietary information of Hohmann & Barnard, Inc. and is not to be reproduced, copied or disclosed, in whole or in part, without the prior written consent of H&B.