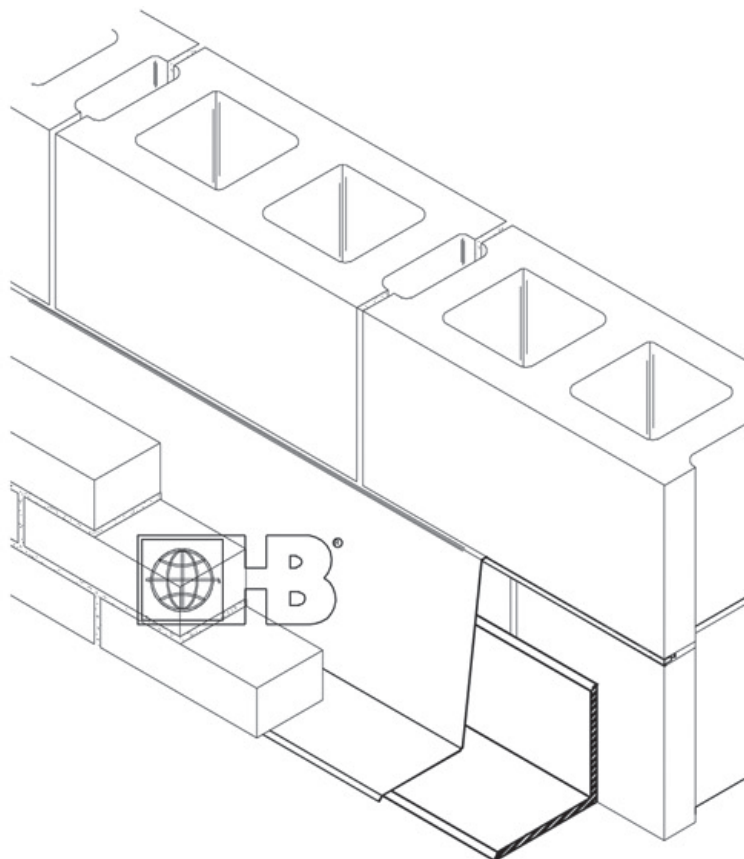
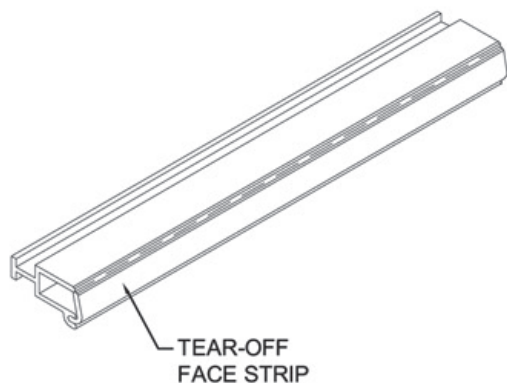




HOHMANN & BARNARD, INC.
A MiTek - BERKSHIRE HATHAWAY COMPANY

Flashing and Reglets

MR - Masonry Reglet



DRAWINGS FOR ILLUSTRATIVE PURPOSES ONLY

Material:

Impact-resistant, rigid polyvinyl chloride tested in conformance with:

- ASTM D 1781 (Cell Classification)
- ASTM D 2240 (Hardness Shore D)
- ASTM D 638 (Tensile Yield & Modulus)
- ASTM D 790 (Flexural Strength & Modulus)

Embedded into mortar joint backup to accept flashing.

- Built-in face piece keeps mortar out as construction progresses, yet easily tears off prior to installation of flashing.
- Fits into $\frac{3}{8}$ " mortar joint
- 8 ft. long
- $\frac{5}{8}$ " internal depth, 1 $\frac{1}{4}$ " o.a. depth
- Made of rigid PVC

HOHMANN & BARNARD, Inc.
30 Rasons Court | Hauppauge, NY 11788
CORPORATE HEADQUARTERS
T: 800.645.0616 F: 631.234.0683
www.h-b.com

Branch/Subsidiary Locations:
ALABAMA - ILLINOIS - MARYLAND
NEW YORK - PENNSYLVANIA - TEXAS
CANADA

© HOHMANN & BARNARD, INC. - 2012