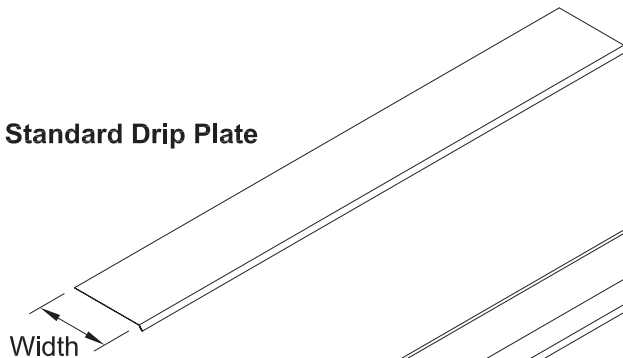




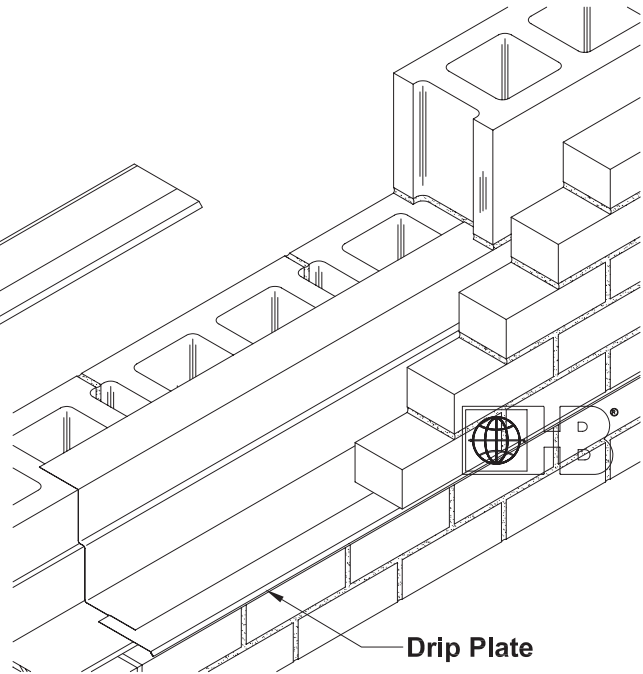
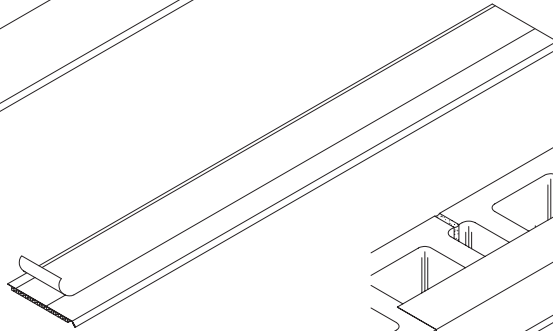
Flashing and Reglets

Drip Plate

Standard Drip Plate



FTSA Drip Plate



DRAWINGS FOR ILLUSTRATIVE PURPOSES ONLY

Material Conformance:

Stainless Steel Type 304: ASTM A240/A240M, ASTM A666, ASTM A480/A480M, and ASTM A167
Copper: ASTM B370 - #110 Alloy
Lead-Coated Copper: ASTM B370 - #110 Alloy

- DP** Our Standard Drip Plate, furnished with a smooth, factory-formed hemmed edge for installation safety and uniform appearance. **Standard DP Drip Plates** are compatible with all H&B flashing products.
- DP-LB** Same as above, for lip brick conditions.
- FTS** Optional **Foam-Tite Seal™** offers unique added protection against the ingress of water in cavity wall construction. It is a continuous 1/8" thick strip of factory-installed compressible foam to act as a bond-break and help prevent air and moisture infiltration.
- FTS-LB** Same as above, for lip brick conditions.
- FTSA** Adds our optional **Flash-Adhere™ Adhesive Strip*** to the FTS Drip Plate (as described above). This adhesive strip (with tear-off release paper) is factory-installed on the top side of the drip plate to aid in the precise and permanent placement of the flashing.
- FTSA-LB** Same as above, for lip brick conditions.
- For corner pieces, reference "inside" or "outside" with above product numbers.
- U.S. Pat. No. 6,584,746** Other Patents Pending

- DP - Standard Drip Plate
- DP-LB - Standard Drip Plate (Lip Brick)
- DP-FTS - Drip Plate with Foam-Tite Seal™
- DP-FTS-LB - Drip Plate with Foam-Tite Seal™ (Lip Brick)
- DP-FTSA - Drip Plate with Foam-Tite Seal™ and Flash-Adhere™ Adhesive Strip*
- DP-FTSA-LB - Drip Plate with Foam-Tite Seal™ and Flash-Adhere™ Adhesive Strip* (Lip Brick)*

Optional Corner Pieces:

- Inside
- Outside
- End Dam

Width:

- 1 1/2"
- 2"
- 2 1/2"
- 3"
- 3 1/2"
- Other _____

Material:

- Type 304 Stainless Steel 26 gauge standard
- Type 304 Stainless Steel _____ gauge (state gauge)
- Copper 20 ounce
- Copper 16 ounce
- Copper 12 ounce
- Lead-Coated Copper 16 ounce
- Lead-Coated Copper 12 ounce

*Flash-Adhere™ Adhesive Strip is NOT suitable for use with PVC or asphaltic flashing products. Works with all non-asphaltic H&B