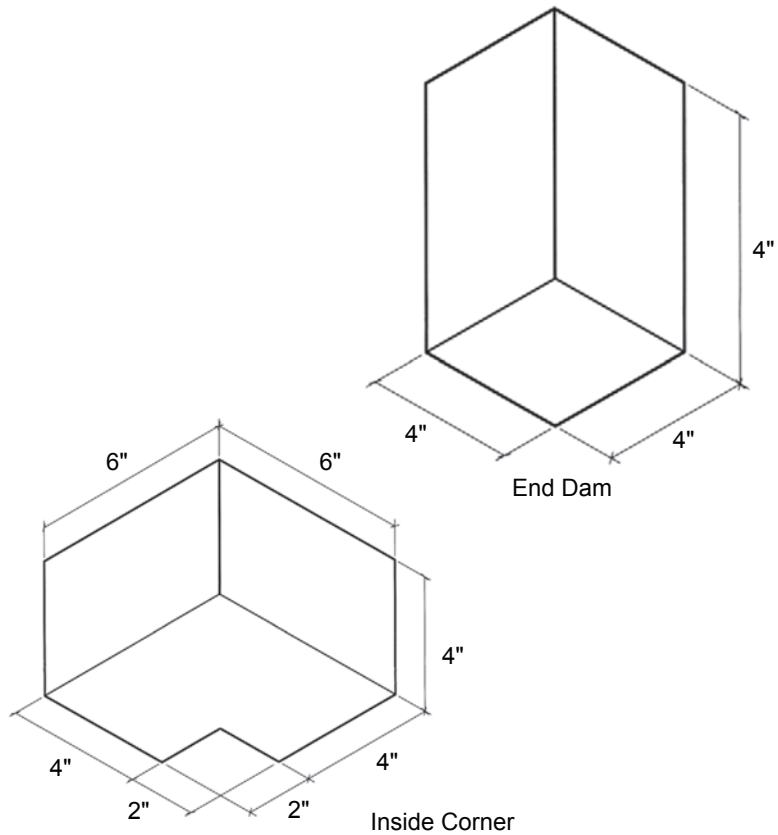
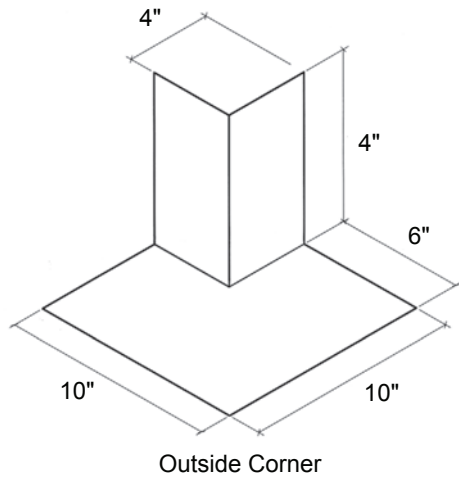




HOHMANN & BARNARD, INC.
A MiTek - BERKSHIRE HATHAWAY COMPANY

Flashing and Reglets

Copper Corners & End Dams



DRAWINGS FOR ILLUSTRATIVE PURPOSES ONLY

Copper Corners & End Dams

Hohmann & Barnard's Copper Corners & End Dams are pre-fabricated soldered inside corners, outside corners and end dams suitable for all H&B flashings. Simply place underneath flashing for the ultimate protection against moisture penetration.

Copper

- Corners and End Dams allow for smooth transition with flashing as opposed to 60 mil fabrics.
- Can be used with: Copper-Tuff™ Flashing, Copper-Tuff™ SA Flashing, Copper-Flex™ Flashing, C-Fab™ Flashing, and Copper Metal Flashing.

NOTE: Also available in **Stainless Steel** (for use with Flex-Flash® Flashing, Textroflash™ Flashing, and Stainless Metal Flashing)

Copper Corners and End Dams

- Inside Corner
- Outside Corner
- End Dam

Corners and End Dams are packaged 25 pieces per box.

HOHMANN & BARNARD, Inc.
30 Rasons Court | Hauppauge, NY 11788
CORPORATE HEADQUARTERS
T: 800.645.0616 F: 631.234.0683
www.h-b.com

Branch/Subsidiary Locations:
ALABAMA - ILLINOIS - MARYLAND
NEW YORK - PENNSYLVANIA - TEXAS
CANADA

© HOHMANN & BARNARD, INC. - 2012