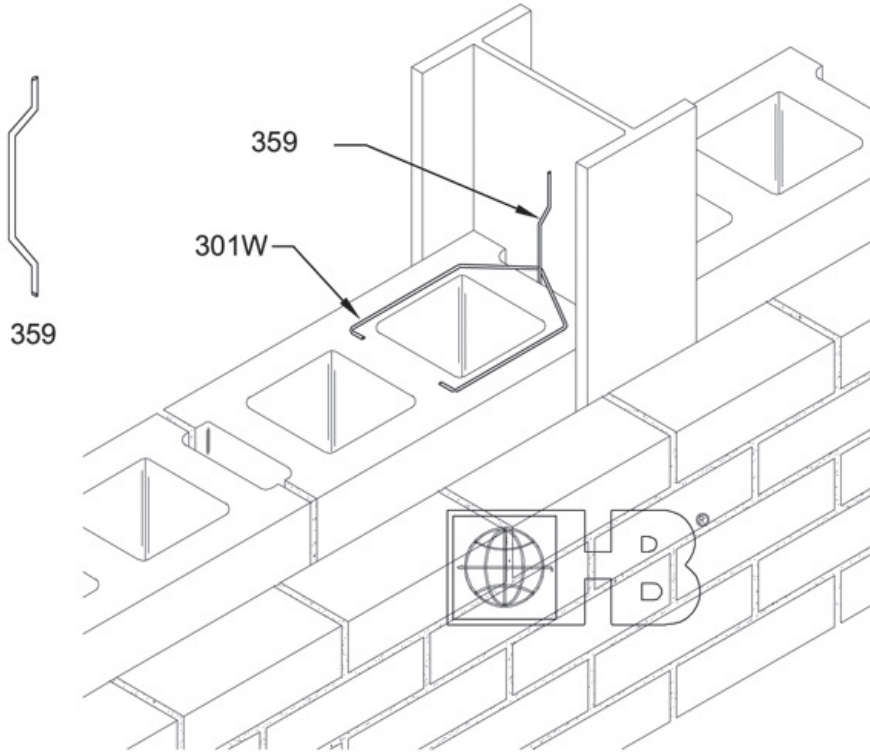


Column and Beam Anchors

359 Weld-On Ties



DRAWINGS FOR ILLUSTRATIVE PURPOSES ONLY

Description:

359 Weld-On Ties can be used in conjunction with Vee Byna-Tie® or 301W Column Web Tie to anchor masonry to structural frame while allowing vertical differential movements between steel and masonry.

Wire (Carbon Steel):

Cold-drawn steel wire conforming to ASTM A1064/A1064M:
Tensile Strength - 80,000 p.s.i.
Yield Point - 70,000 p.s.i. minimum

Zinc Coating:

Mill Galvanized: ASTM A641/A641M (0.1 oz/ft²) (0.1 oz/ft²)
Hot-Dip Galvanized after fabrication: ASTM A153/A153M-B2 (1.5 oz/ft²)
Note: Hohmann & Barnard will certify Hot-Dip Galvanized to a minimum of 2.0 oz/ft²

Wire (Stainless Steel):

ASTM A580/A580M - AISI Type 304 or Type 316

359: 1/4"Ø x 8" long

Finish:

- Mill Galvanized
- Hot-Dip Galvanized
- Stainless Steel - Type 304
- Stainless Steel - Type 316

Note: H&B recommends Stainless Steel for maximum protection against corrosion.

H&B manufactures steel wire products with recycled material.

IMPORTANT: Since each construction project is unique, the appropriate selection and use of any product contained herein must be determined by competent architects, engineers and other appropriate professionals who are familiar with the specific requirements of the project in question. This drawing and/or data sheet is the confidential and proprietary information of Hohmann & Barnard, Inc. and is not to be reproduced, copied or disclosed, in whole or in part, without the prior written consent of H&B.