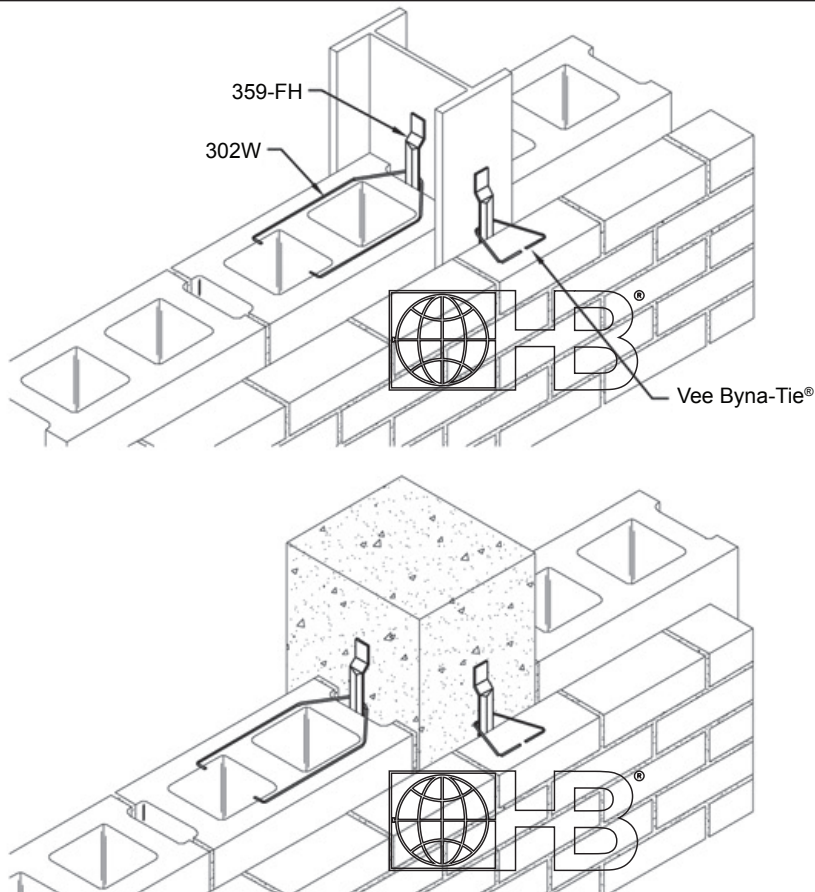


Column and Beam Anchors

359-FH - Weld-On Ties



DRAWINGS FOR ILLUSTRATIVE PURPOSES ONLY

359-FH Weld-On Tie can be used in conjunction with Vee Byna-Tie® or 302W Column Web Tie to anchor masonry to structural frame while allowing vertical differential movements between steel and masonry.

Wire (Carbon Steel): Prefabricated from cold-drawn steel wire conforming to **ASTM A1064/A1064M**

Tensile Strength - 80,000 p.s.i. | Yield Point - 70,000 p.s.i. minimum
Zinc Coating:

Hot-Dip Galvanized after fabrication: **ASTM A153/A153M-B2** (1.5 oz/ft²)
Note: Hohmann & Barnard will certify to a minimum of 2.0 oz/ft²

Wire (Stainless Steel):
ASTM A580/ASTM 580M - AISI Type 304 or Type 316

Sheet Metal (Carbon Steel): ASTM A1008/A1008M

Zinc Coating:
Hot-Dip Galvanized after fabrication: ASTM A153/A153M-B2 (1.5 oz/ft²)
Note: Hohmann & Barnard will certify Hot-Dip Galvanized to a minimum of 2.0 oz/ft²

Sheet Metal (Stainless Steel):
ASTM A 666, ASTM A480/480M, and ASTM A240/A240M
AISI Type 304 or 316

H&B manufactures steel wire products with recycled material.

359-FH Dimensions:

3/4" wide x 12 ga. thick by 6" long

Finish:

Hot-Dip Galv. Stainless Steel: Type 304 Type 316

Note: H&B recommends Stainless Steel for maximum protection against corrosion.

Wire Tie Diameter:

3/16"Ø 1/4"Ø

Vee Byna-Tie®:

3" 3 1/2" 4" 4 1/2" 5"

Other _____

#302W Column Web Tie:

2 3/8" 4" 6" 8" 10"

IMPORTANT: Since each construction project is unique, the appropriate selection and use of any product contained herein must be determined by competent architects, engineers and other appropriate professionals who are familiar with the specific requirements of the project in question. This drawing and/or data sheet is the confidential and proprietary information of Hohmann & Barnard, Inc. and is not to be reproduced, copied or disclosed, in whole or in part, without the prior written consent of H&B.