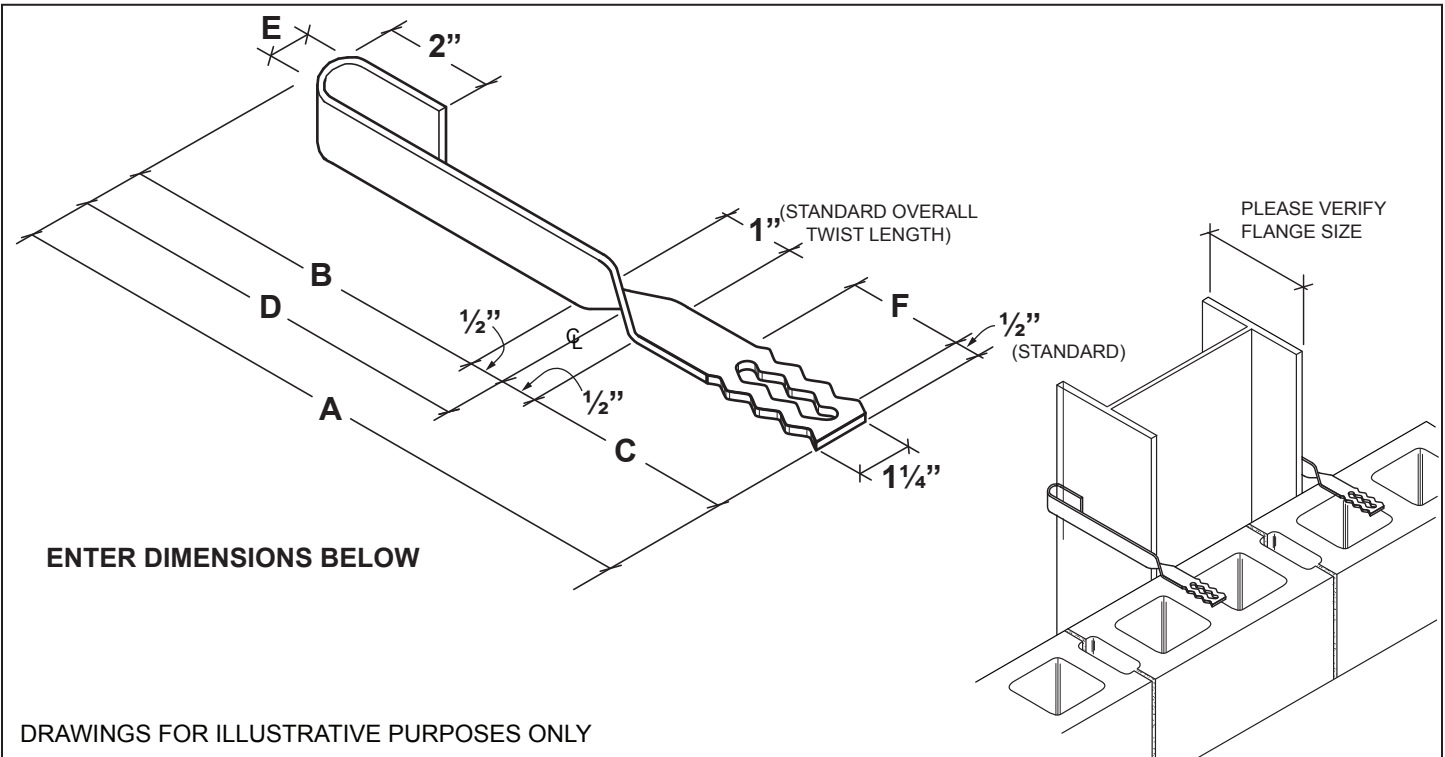


Column and Beam Anchors

353 - Column Anchor



Description:

For anchoring masonry to structural column when masonry is perpendicular to column flange.

Sheet Metal (Carbon Steel):

ASTM A1008/A1008M
Zinc Coating:
Hot-Dip Galvanized after fabrication: ASTM A153/A153M-B2 (1.5 oz/ft²)

Sheet Metal (Stainless Steel):

ASTM A 666, ASTM A480/480M, and ASTM A240/A240M
AISI Type 304 or 316

Dimensions:

1 1/4" wide x 12 gauge x length to suit. Made to order based on dimensions listed to the right. See 353L for heavy-duty and custom thicknesses.

U.S. Patent No. 8,904,731; Canadian Patent No. 2,844,459

Heavy-duty plate for column and beam anchors is 99% recycled material. Stainless Steel products have an average of 60% recycled material.

Finish:

- Hot-Dip Galvanized Stainless Steel - Type 304 Stainless Steel - Type 316

Note: H&B recommends Stainless Steel for maximum protection against corrosion.

Anchor Thickness:

- 12 gauge
NOTE: For heavy-duty (1/4") or custom thickness, see 353L

Anchor Dimensions: (refer to the drawing above)

- A. Overall Length** _____
- B. Column Flange** _____
- C. Length Past End of Twist** _____
- D. Length to Centerline of Twist** _____
- E. Inside Diameter of Hook** _____
- F. Keyed Length** _____

IMPORTANT: Since each construction project is unique, the appropriate selection and use of any product contained herein must be determined by competent architects, engineers and other appropriate professionals who are familiar with the specific requirements of the project in question. This drawing and/or data sheet is the confidential and proprietary information of Hohmann & Barnard, Inc. and is not to be reproduced, copied or disclosed, in whole or in part, without the prior written consent of H&B.