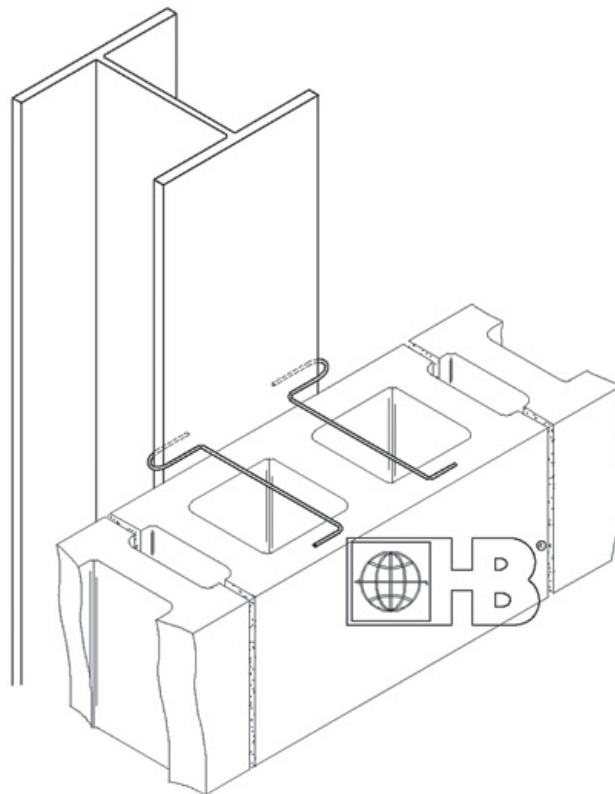
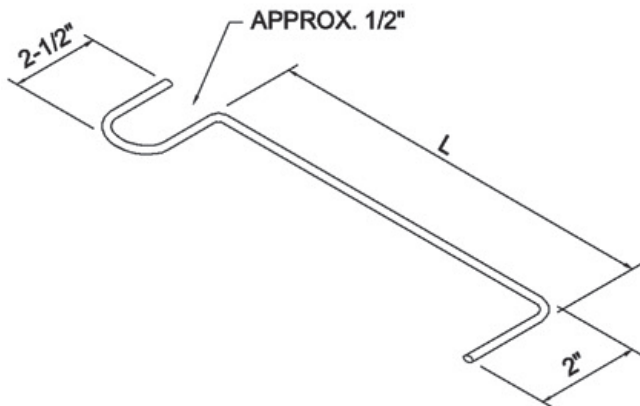


Column and Beam Anchors

351 - Wire Column Tie



DRAWINGS FOR ILLUSTRATIVE PURPOSES ONLY

Description:

For anchoring masonry to structural column when masonry is parallel to column flange.

Wire (Carbon Steel):

Cold-drawn steel wire conforming to ASTM A1064/A1064M:

Tensile Strength - 80,000 p.s.i.

Yield Point - 70,000 p.s.i. minimum

Zinc Coating:

Hot-Dip Galvanized after fabrication: ASTM A153/A153M-B2 (1.5 oz/ft²)

Note: Hohmann & Barnard will certify Hot-Dip Galvanized to a minimum of 2.0 oz/ft²

Wire (Stainless Steel):

ASTM A580/A580M - AISI Type 304 or 316

Dimensions:

3/16" or 1/4" diameter with 2" Bend and 2 1/2" Hook with 1/2" opening.

Available in 3", 5", 7", or 9" lengths. Other lengths available upon request.

H&B manufactures steel wire products with recycled material.

Finish:

- Hot-Dip Galvanized
- Stainless Steel - Type 304
- Stainless Steel - Type 316

Note: H&B recommends Stainless Steel for maximum protection against corrosion.

Wire Diameter:

- 3/16"Ø
- 1/4"Ø

Length:

- 3"
- 5"
- 7"
- 9"
- Other: _____

IMPORTANT: Since each construction project is unique, the appropriate selection and use of any product contained herein must be determined by competent architects, engineers and other appropriate professionals who are familiar with the specific requirements of the project in question. This drawing and/or data sheet is the confidential and proprietary information of Hohmann & Barnard, Inc. and is not to be reproduced, copied or disclosed, in whole or in part, without the prior written consent of H&B.